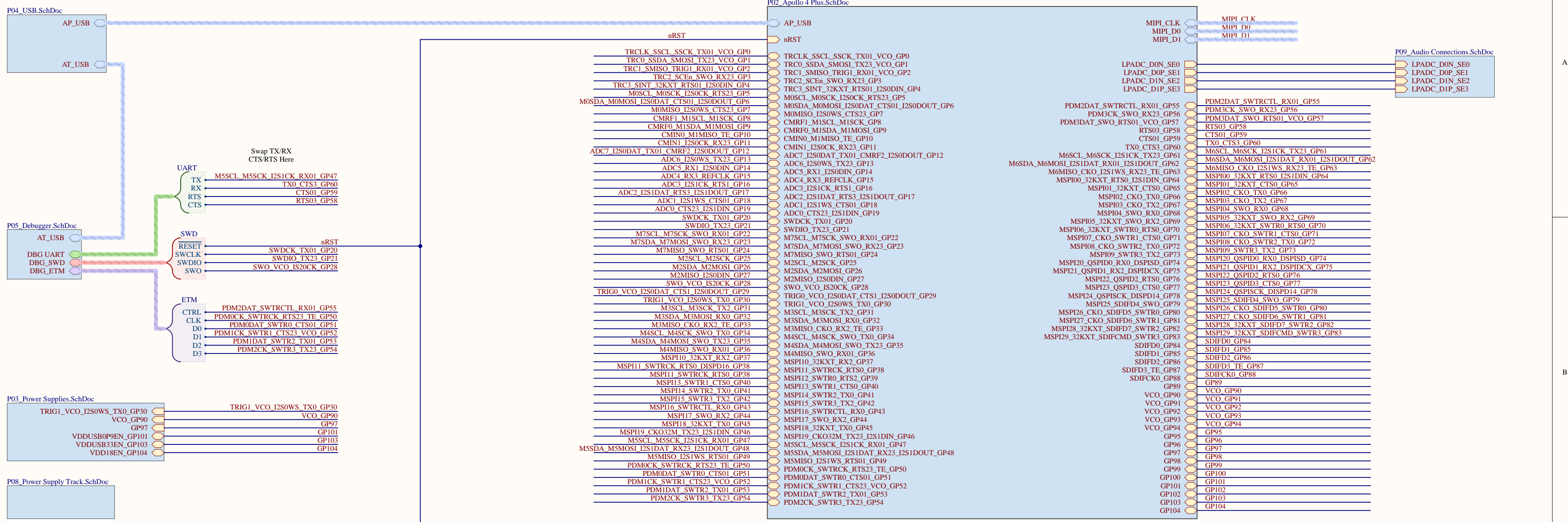
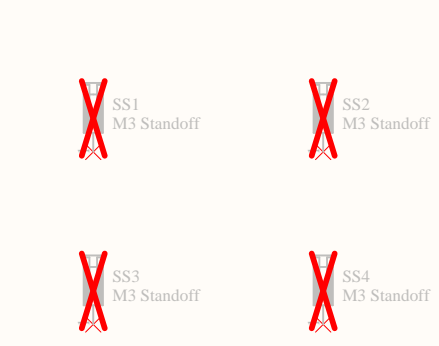


# Apollo4 Plus EVB Connection Diagram



## Stand Offs



## Revision History

- 12/07/2021
  - 1) Initial release
- 02/16/2022
  - 1) Update to onboard JLINK solution
- 03/01/2023
  - 1) Ported design from Cadence Allegro to Altium Designer
  - 2) Update to onboard JLINK solution
  - 3) VDD\_MCU Solderbridge short changed to open

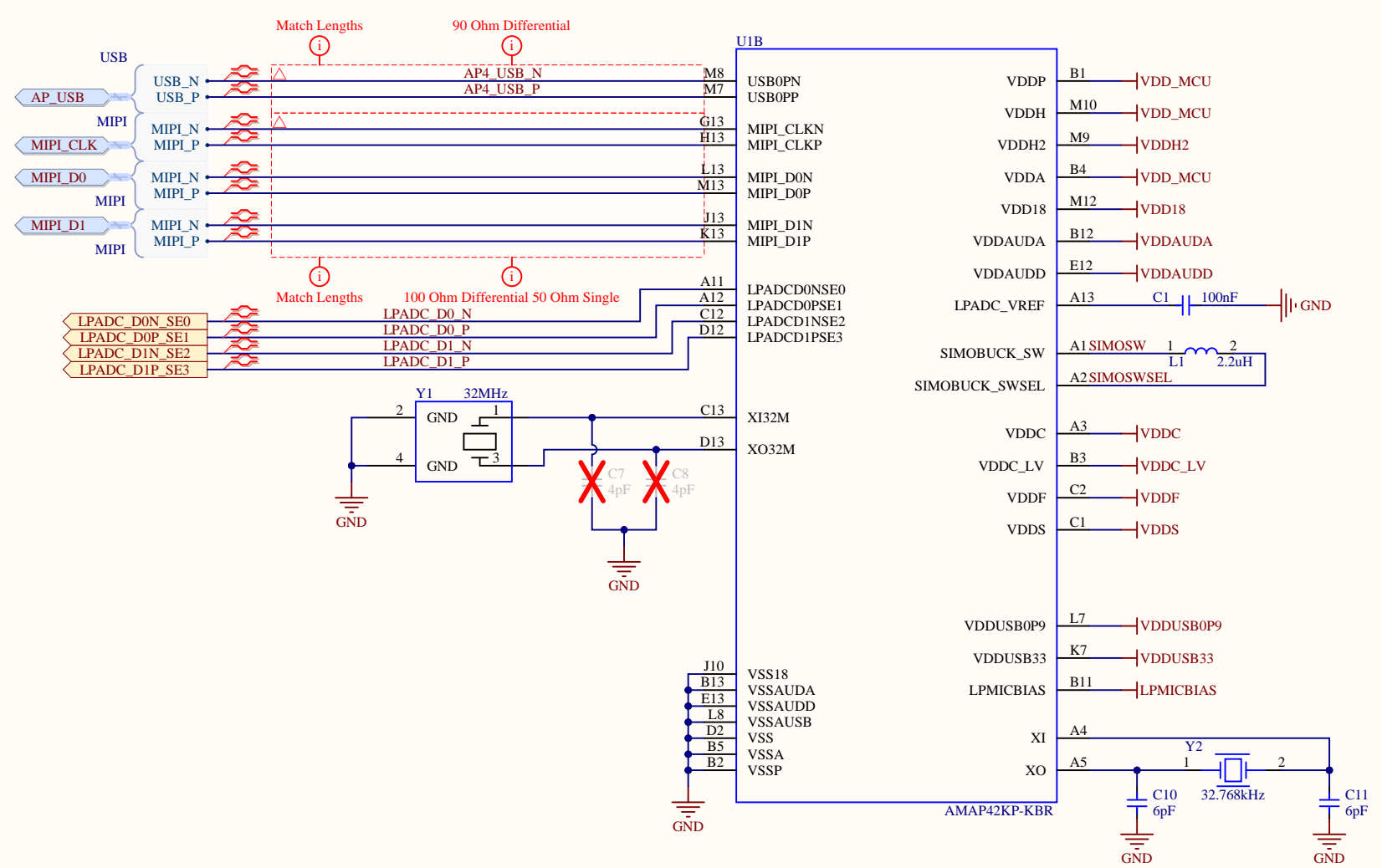
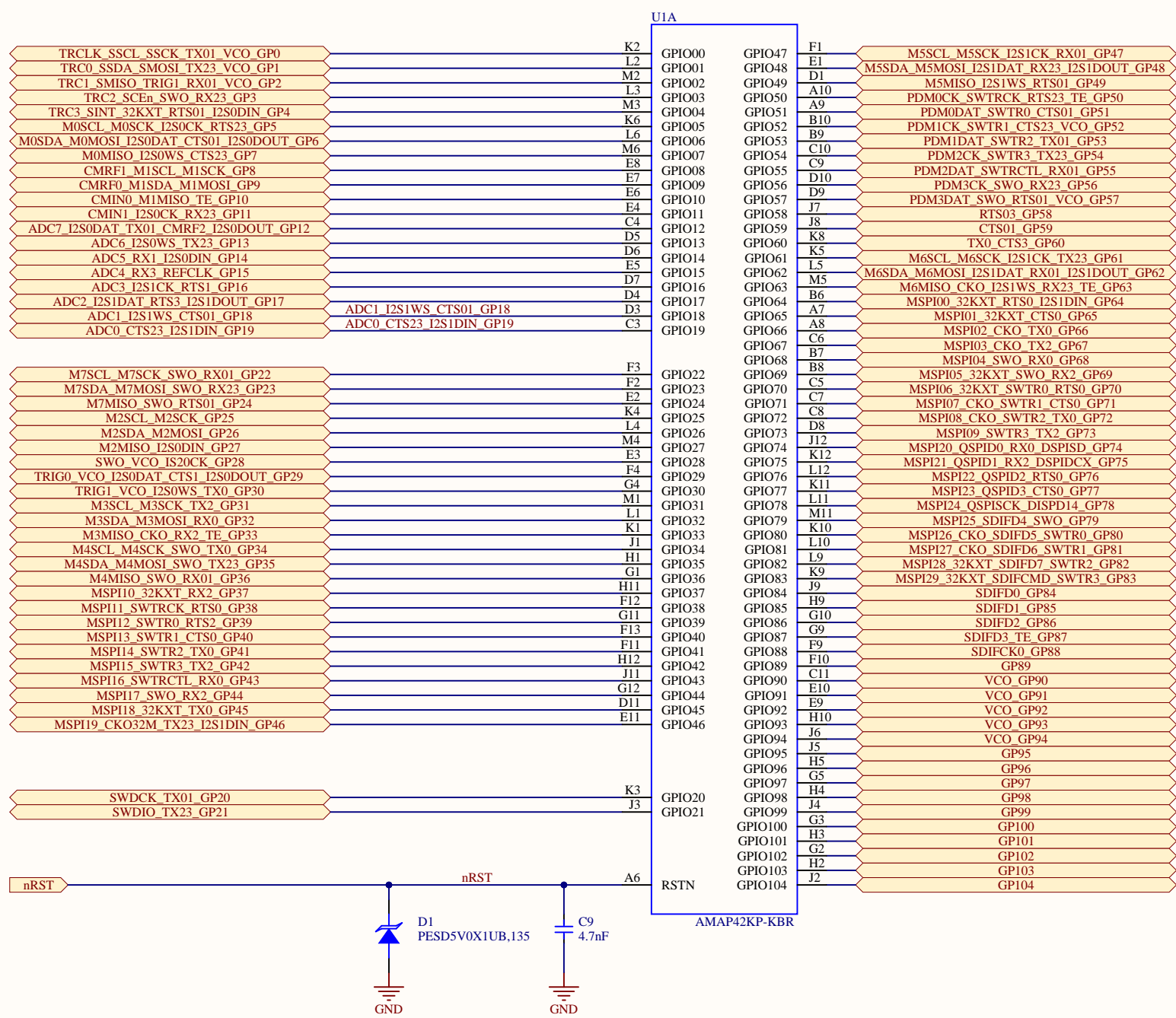
D

**Ambiq**  
 6500 River Place Boulevard  
 Building 7, Suite 200  
 Austin, TX 78730  
 +1 (512) 879-2850

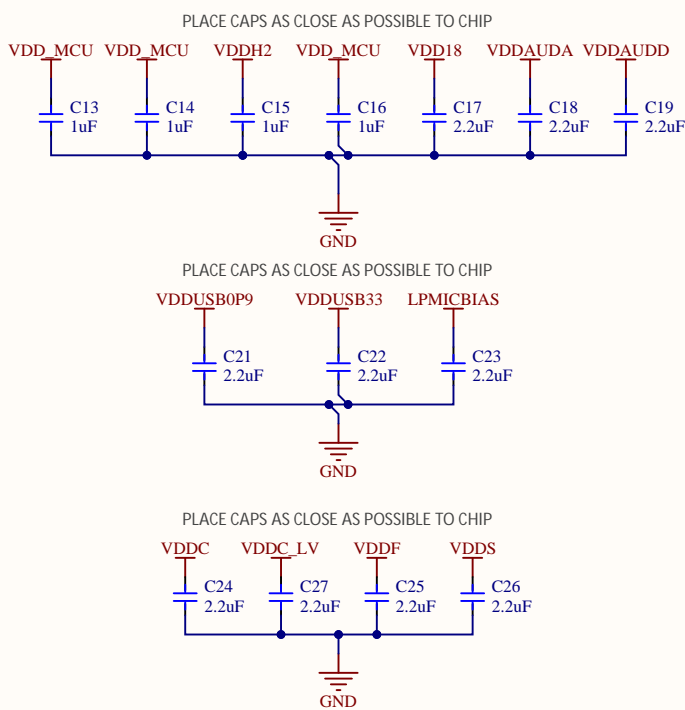
**Title:** Apollo4 Plus EVB  
**Revision:** 3.0  
**Sheet Name:** P01\_Top Level  
**Sheet 1 of 8**  
**Date:** 2/7/2023  
**Drawn By:** Chad Crosby  
**2/7/2023**  
**Number:** AMAP4PEVB  
**Approved By:** Daniel Lanzone  
**2/8/2023**

This document contains information proprietary to Ambiq and shall not be used, reproduced, or disclosed to others, in part or in whole, without express written permission from Ambiq.

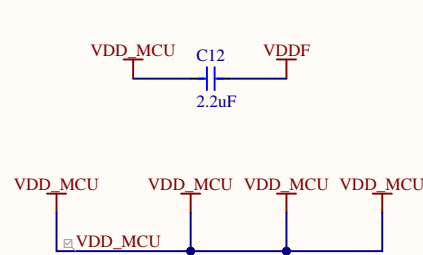
# Apollo4 Plus



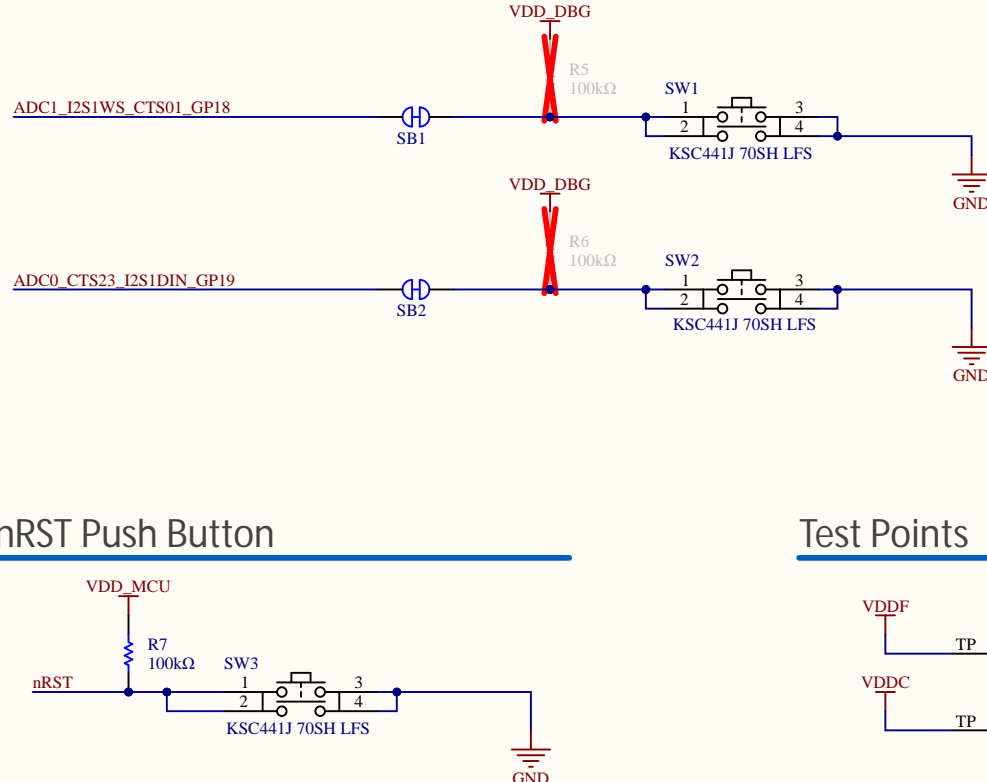
## Decoupling Capacitors



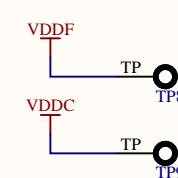
## Power Supply Connections



## Push Buttons



## Test Points



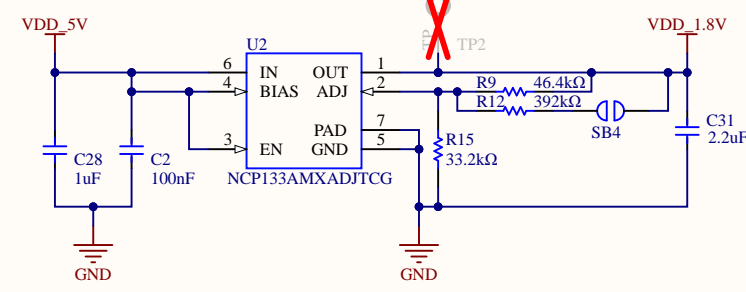
6500 River Place Boulevard  
Building 7, Suite 200  
Austin, TX 78730  
+1 (512) 879-2850

Title: Apollo4 Plus EVB  
Sheet Name: P02\_Apollo 4 Plus  
Date: 2/7/2023  
Number: AMAP4PEVB

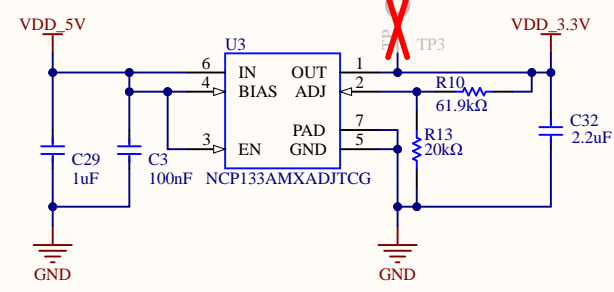
Revision: 3.0  
Sheet 2 of 8  
Drawn By: Chad Crosby  
Aprvd By: Daniel Lanzone

### 1.9V Regulator

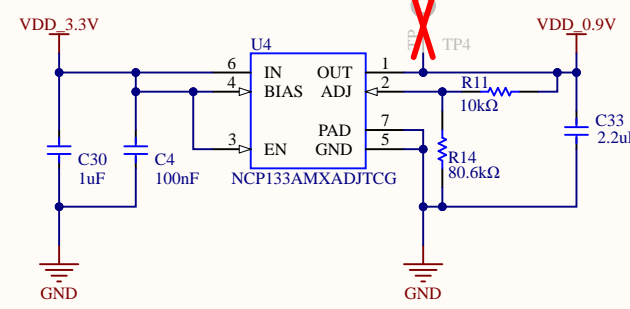
1.9V Default. Connect SB4 for 1.8V



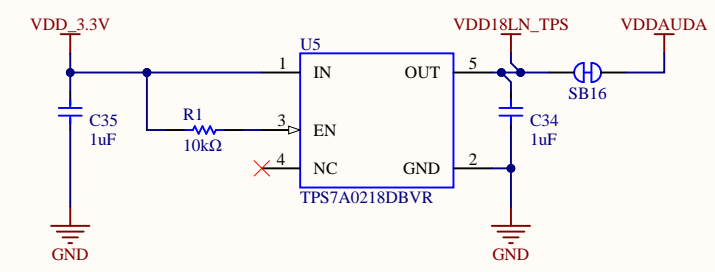
### 3.3V Regulator



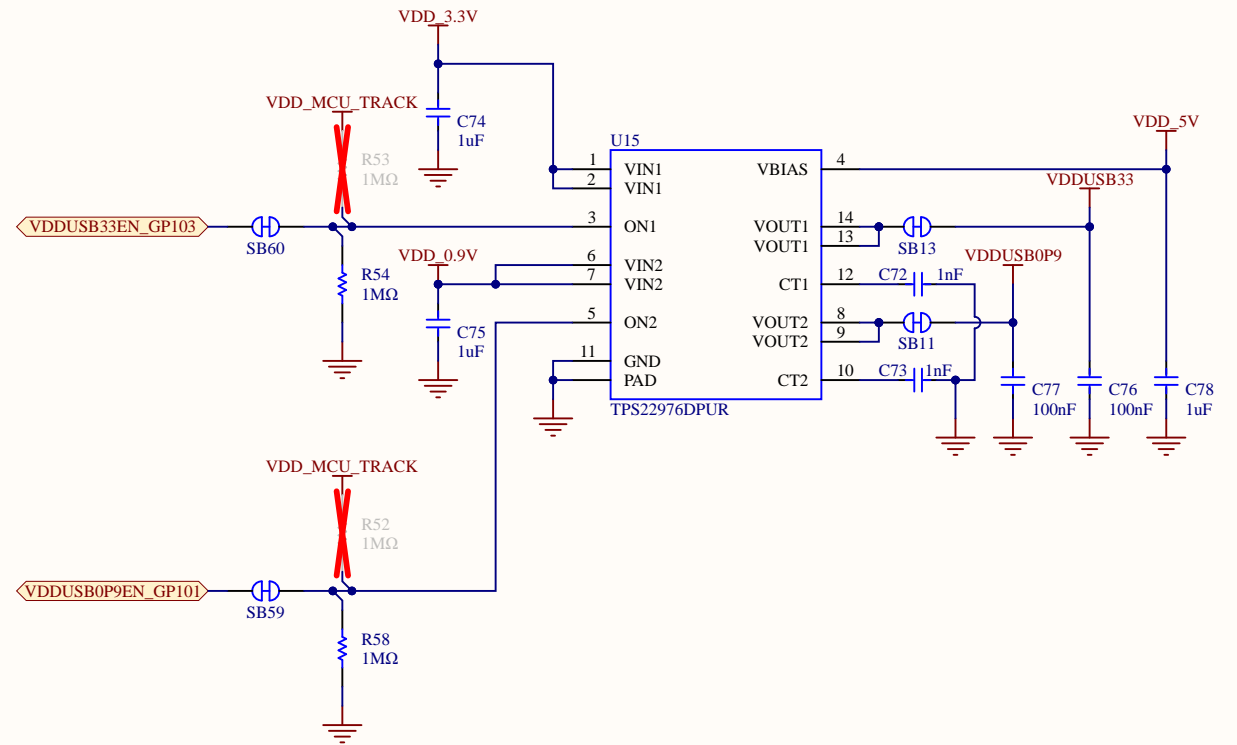
### 0.9V USB Supply



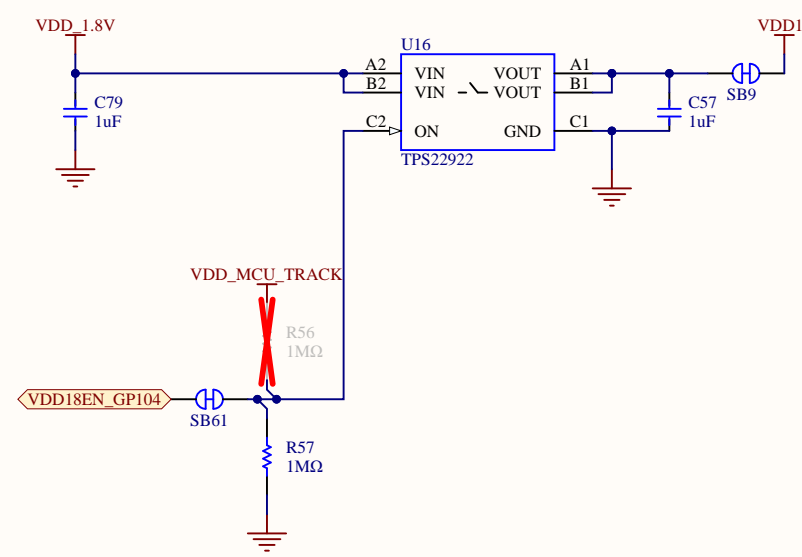
### 1.8V Low Noise Supply



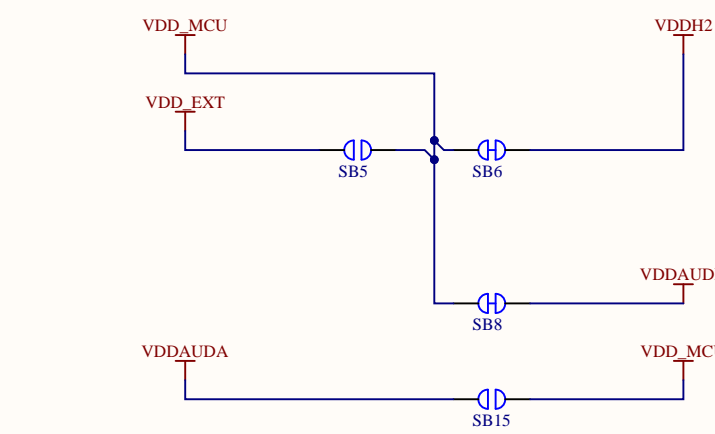
### USB Sequencing



### MIPPI Sequencing

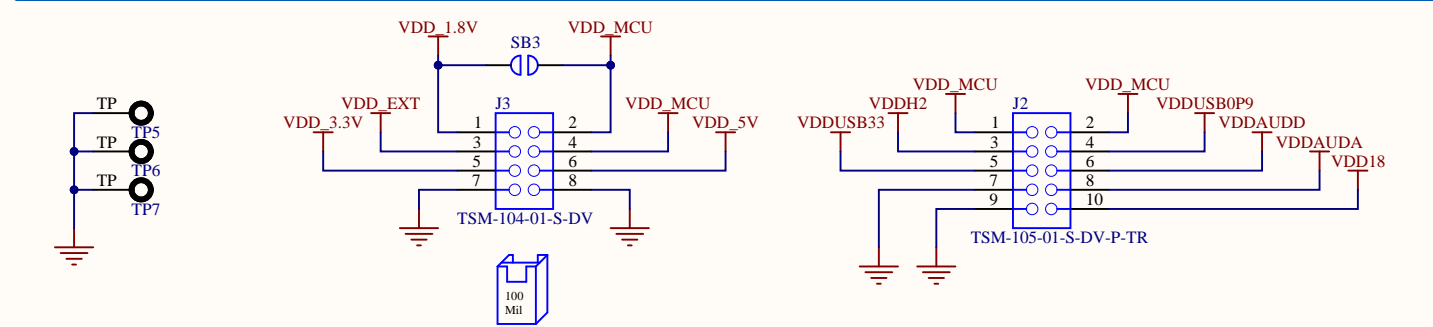


### Supply Solder Bridges

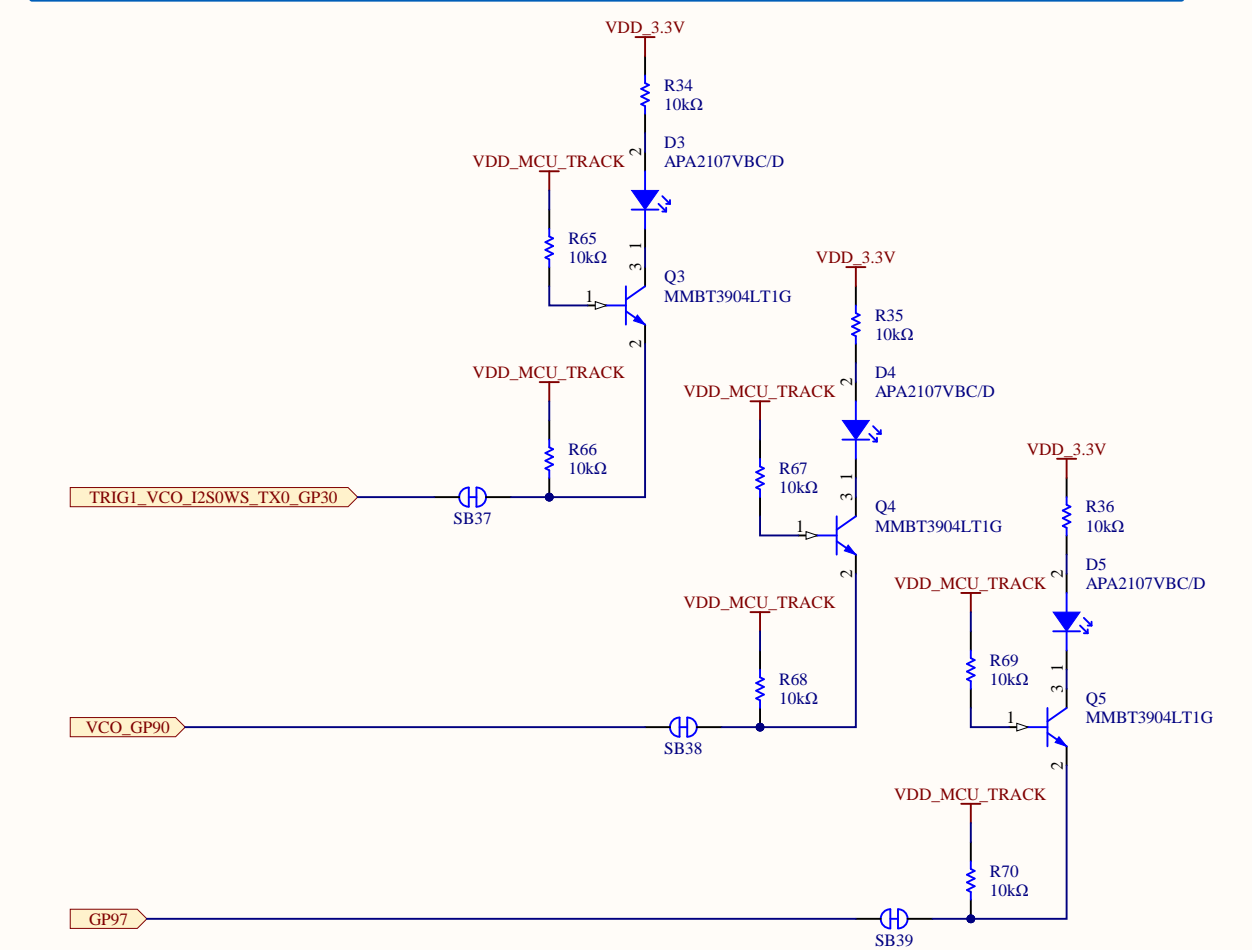


### Testpoints

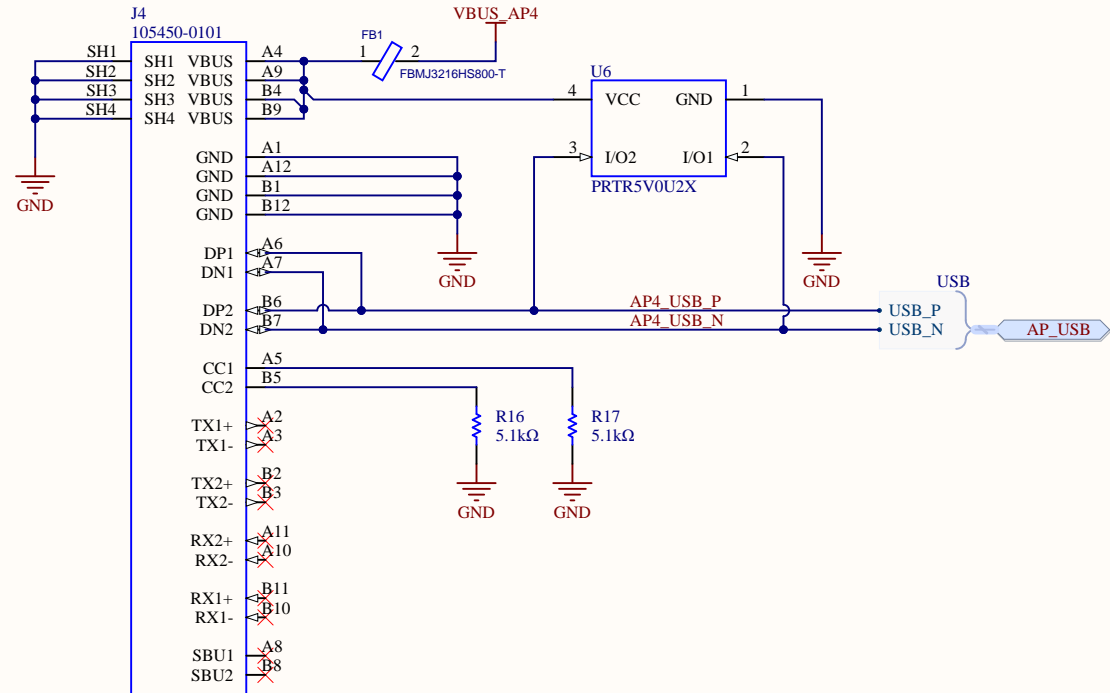
Pins 1 & 2 on J3 shall be jumpered by default



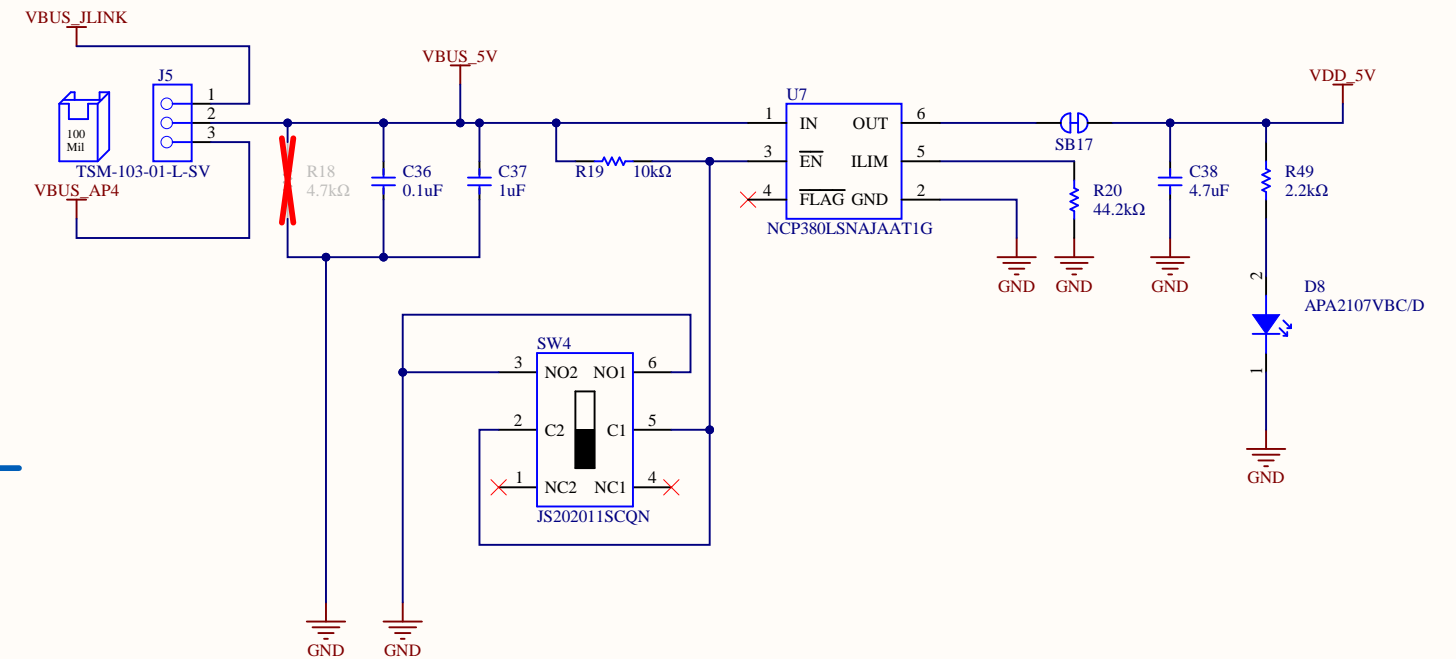
### LED GPIO Solder-Bridges



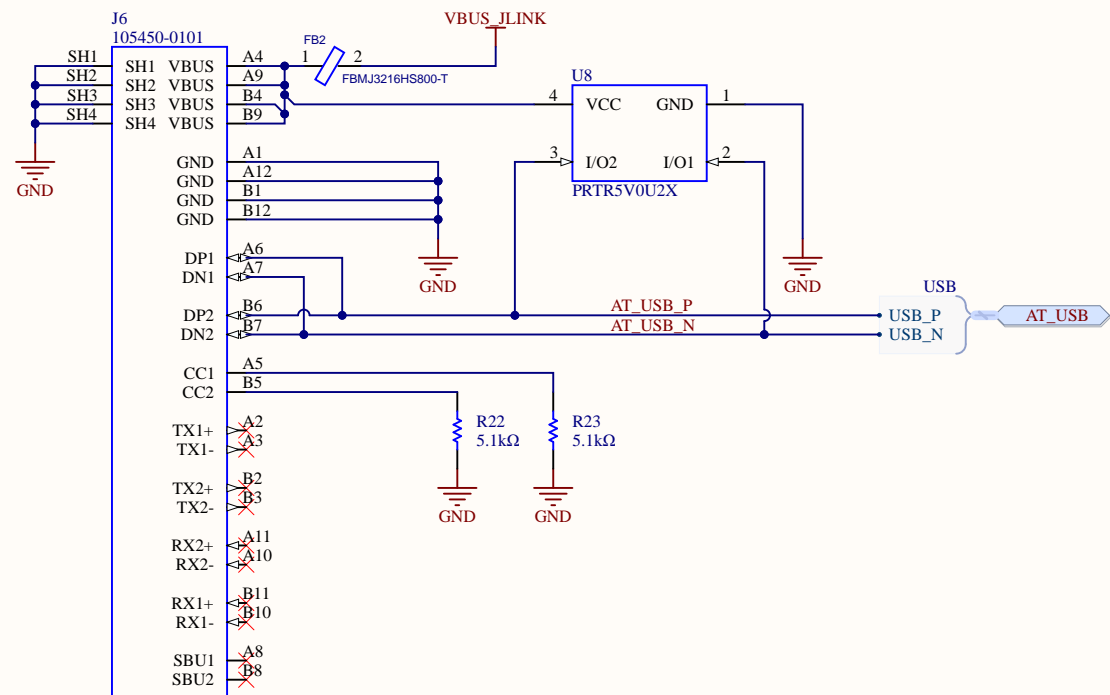
# Apollo4 Plus USB Connector




# 5V Source Select & USB Protection Circuit

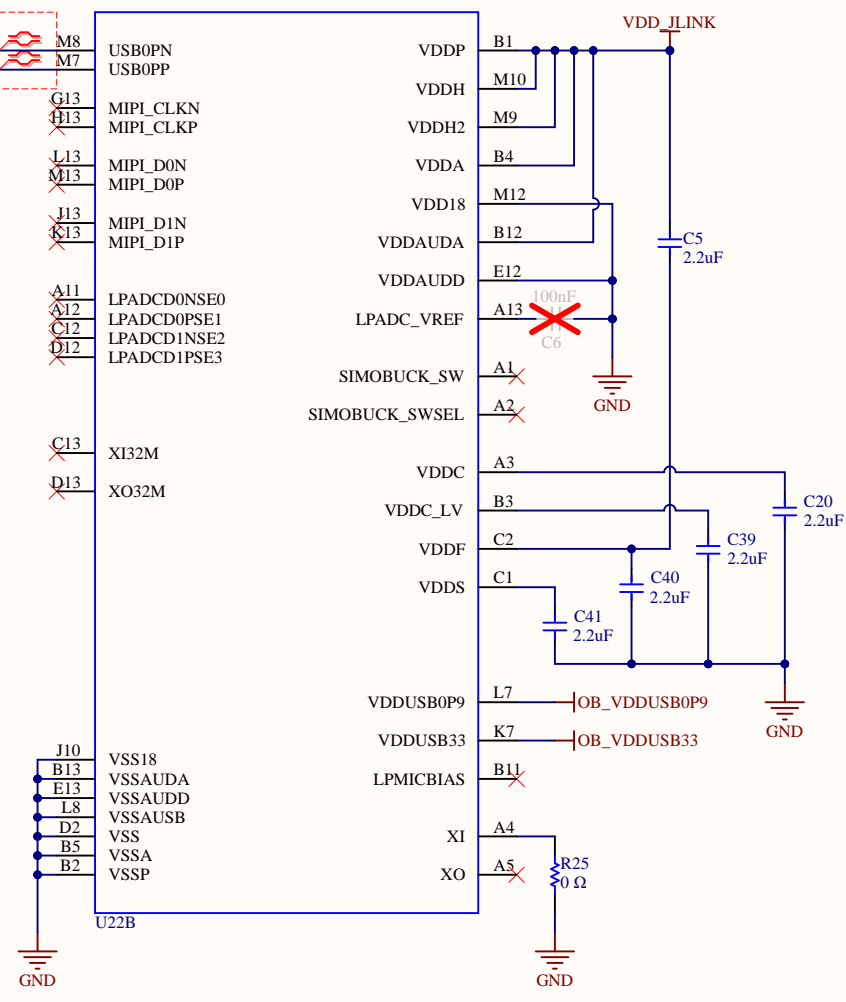
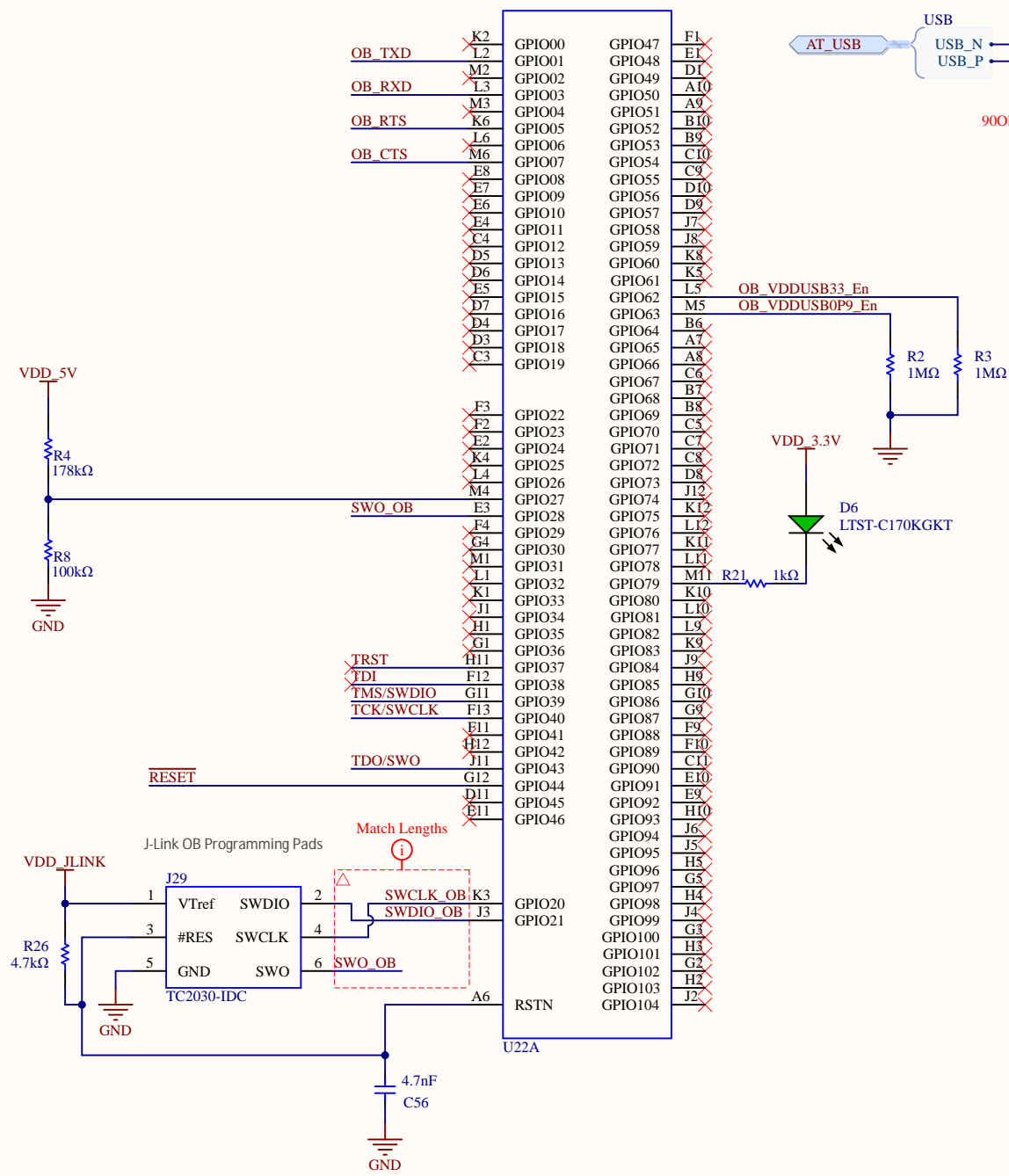


# Onboard J-Link USB Connector

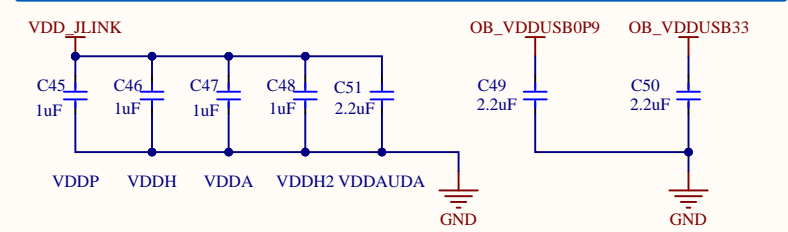


	Title		Revision
	Apollo4 Plus EVB		3.0
Sheet Name		Sheet 4 of 8	
P04_USB			
Date	2/7/2023	Drawn By	Chad Crosby 2/7/2023
Number	AMAP4PEVB	Aprvd By	Daniel Lanzone 2/8/2023
<small>This document contains information proprietary to Ambiq and shall not be used, reproduced, or disclosed to others, in part or in whole, without express written permission from Ambiq.</small>			

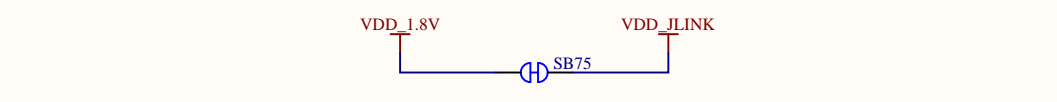
# J-LINK Onboard Debugger



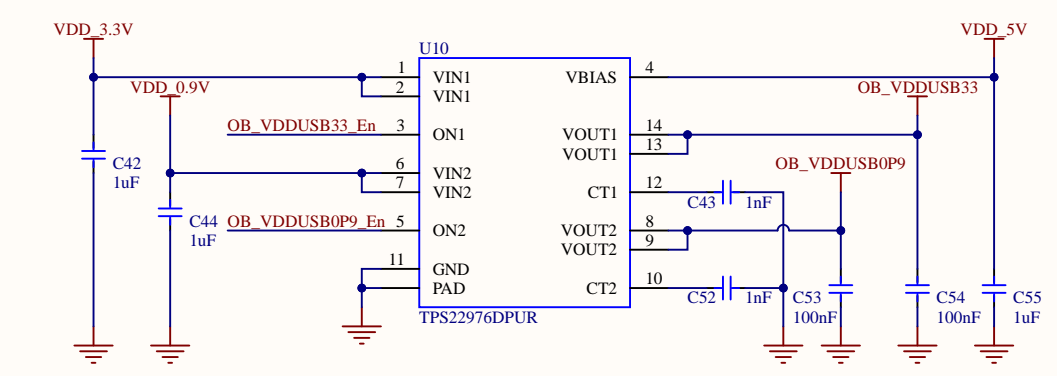
## Decoupling Capacitors



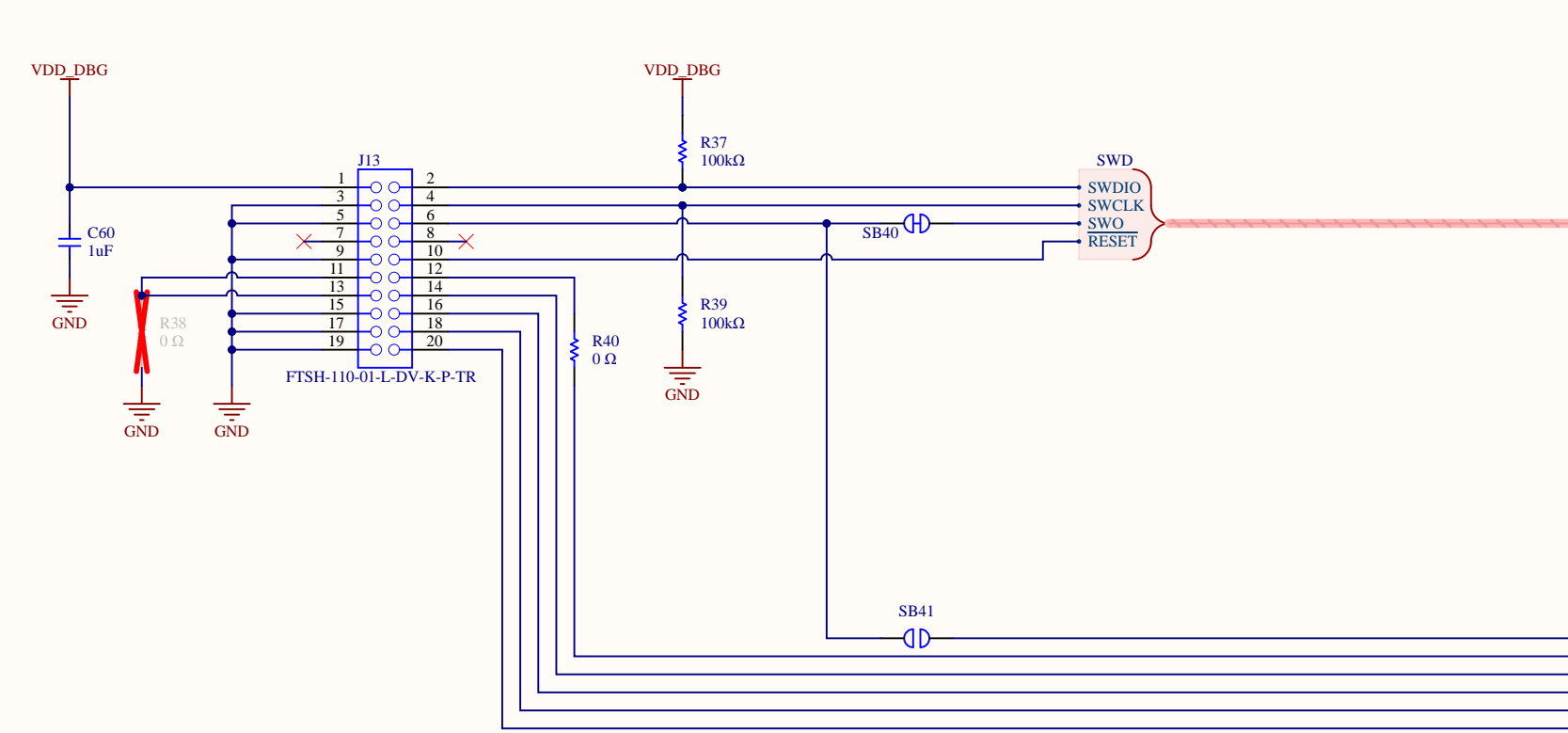
# J-Link Voltage Disconnect Solder-Bridge



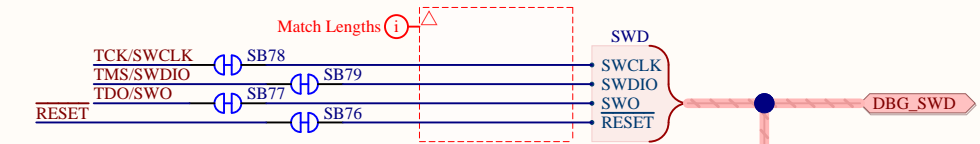
## USB Sequencing



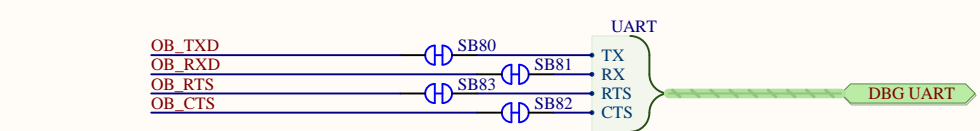
# Debug-In Header



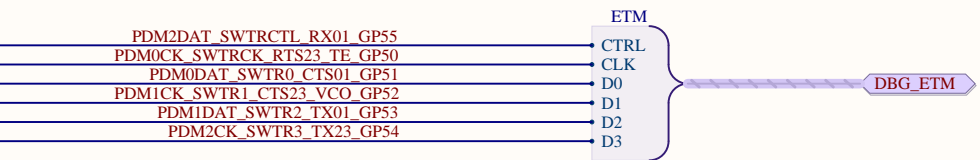
# Target Debug Interface



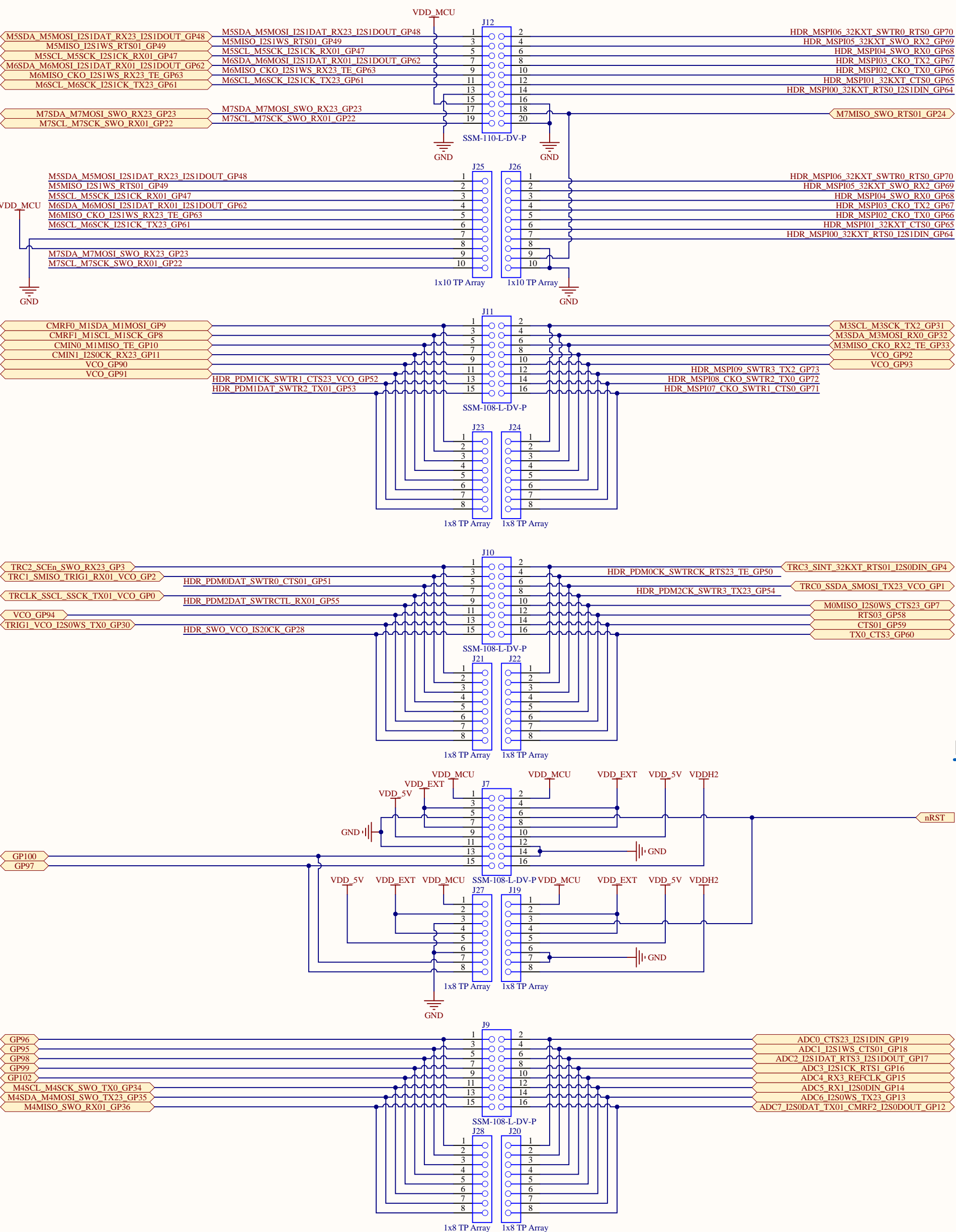
# VCOM Interface



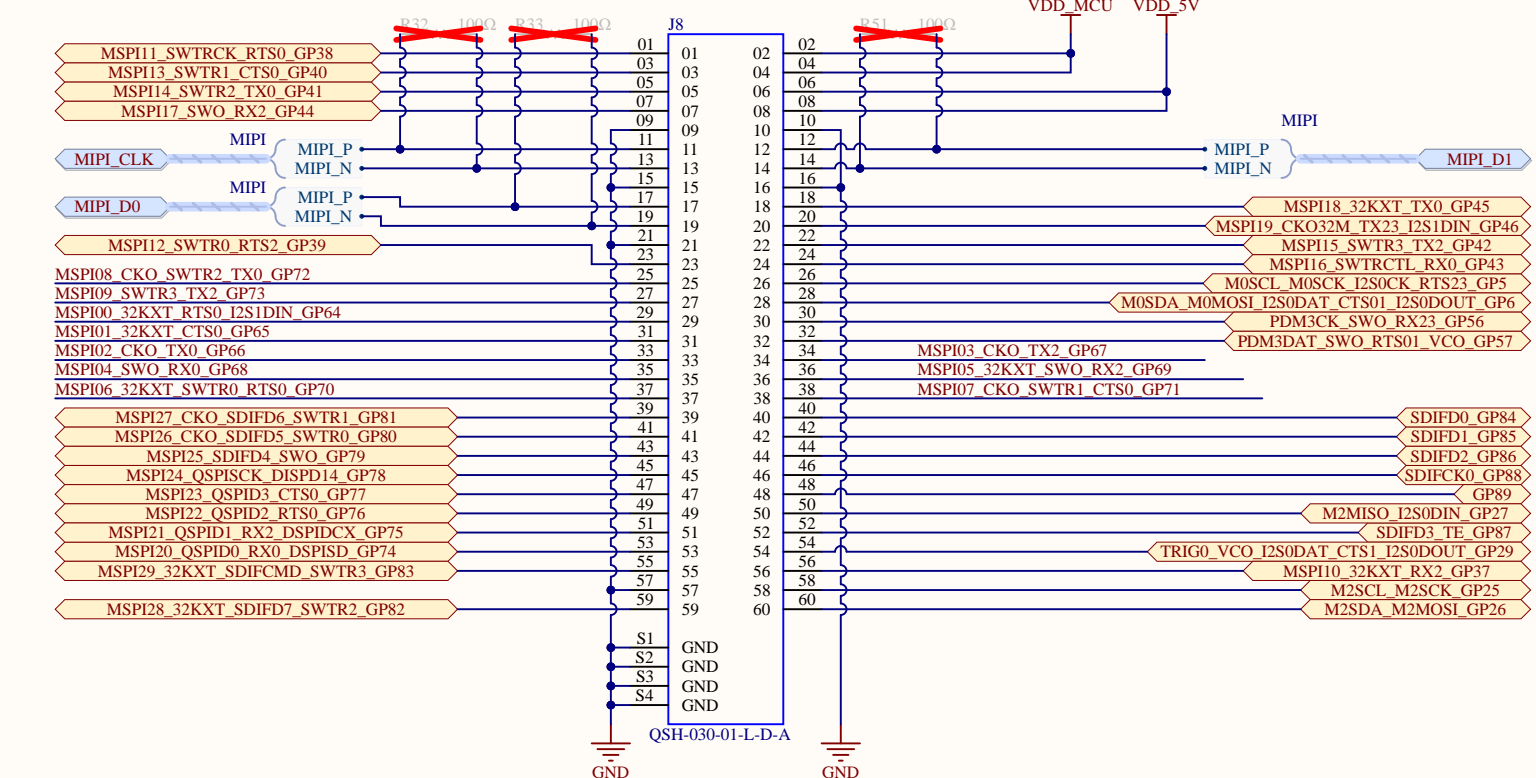
# ETM Interface



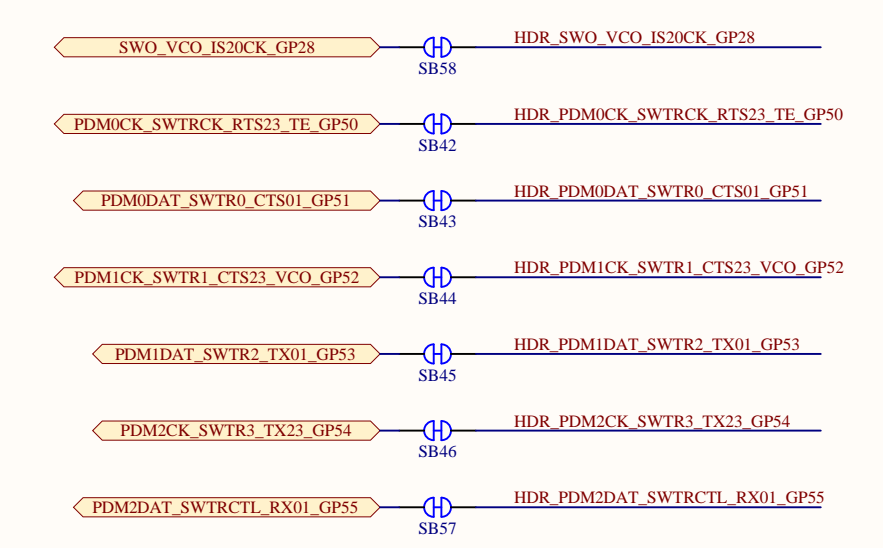
# Arduino-Style GPIO Headers and Testpoint Arrays



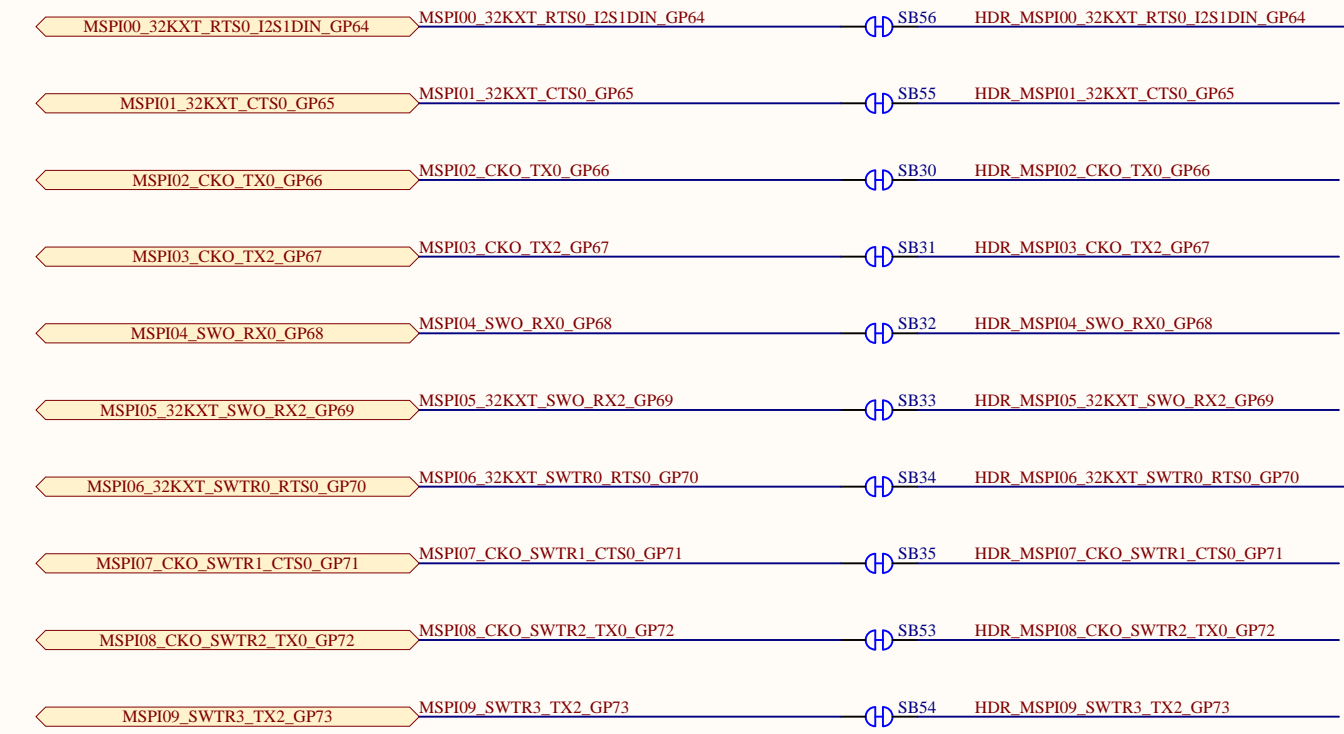
# High-Speed Header



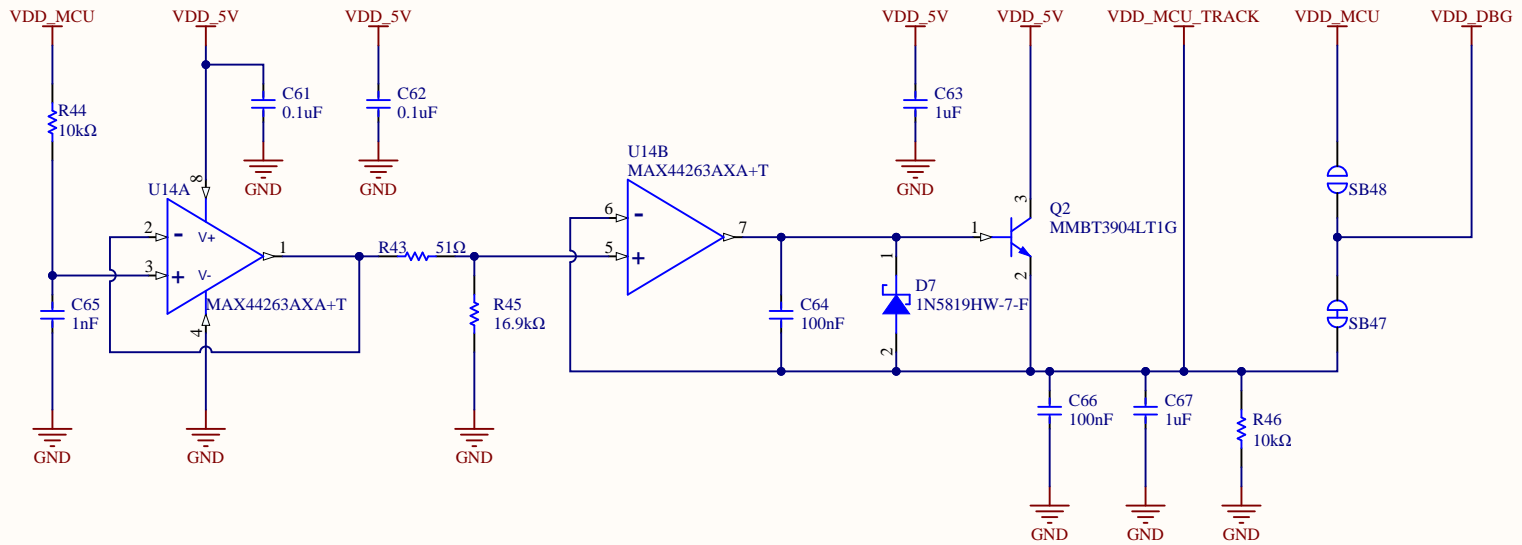
# Debug Signal to GPIO Connector Solder-Bridges



# Display Controller GPIO Solder-Bridges



# Power Supply Tracker



6500 River Place Boulevard  
Building 7, Suite 200  
Austin, TX 78730  
+1 (512) 879-2850

Title Apollo4 Plus EVB Revision 3.0

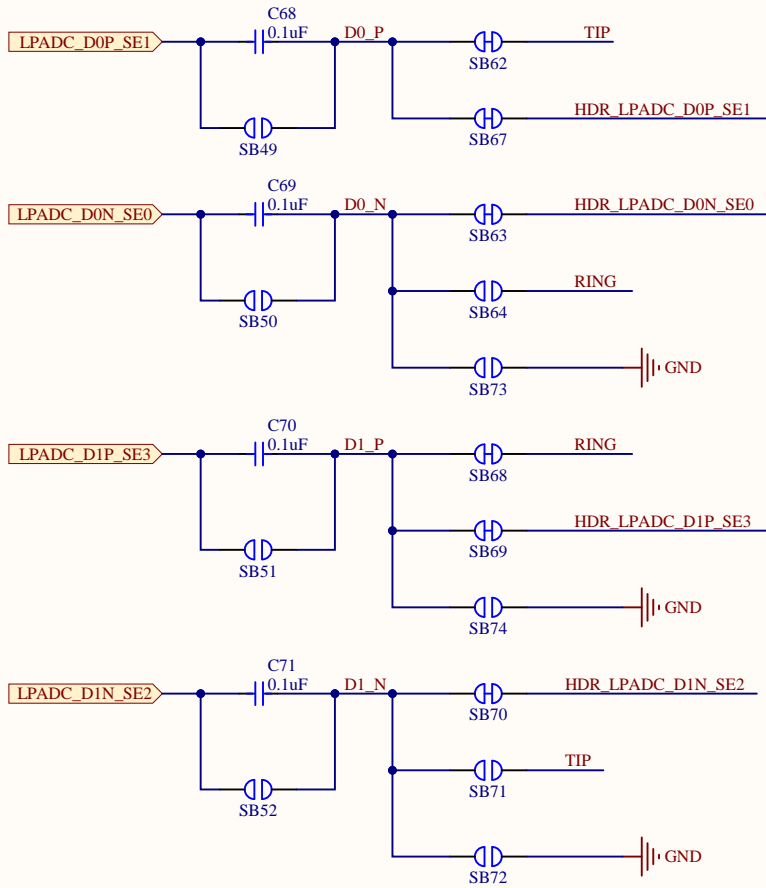
Sheet Name P08\_Power Supply Track Sheet 7 of 8

Date 2/7/2023 Drawn By Chad Crosby 2/7/2023

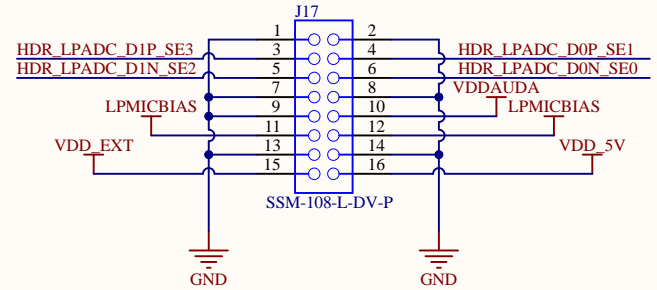
Number AMAP4PEVB Aprvd By Daniel Lanzone 2/8/2023

This document contains information proprietary to Ambiq and shall not be used, reproduced, or disclosed to others, in part or in whole, without express written permission from Ambiq.

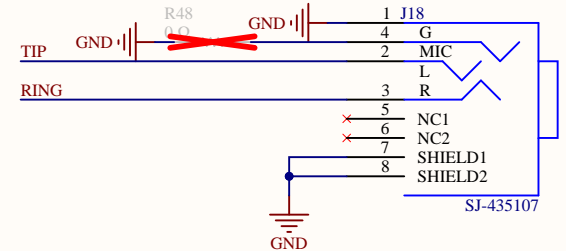
# LPADC Solder Bridge Options



# LPADC Voltage Header



# LPADC 3.5mm Headphone Jack



6500 River Place Boulevard  
 Building 7, Suite 200  
 Austin, TX 78730  
 +1 (512) 879-2850

Title: Apollo4 Plus EVB  
 Revision: 3.0

Sheet Name: P09\_Audio Connections  
 Sheet 8 of 8

Date: 2/7/2023  
 Drawn By: Chad Crosby 2/7/2023  
 Number: AMAP4PEVB  
 Aprvd By: Daniel Lanzone 2/8/2023

This document contains information proprietary to Ambiq and shall not be used, reproduced, or disclosed to others, in part or in whole, without express written permission from Ambiq.