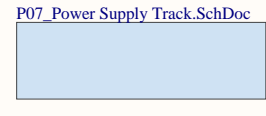
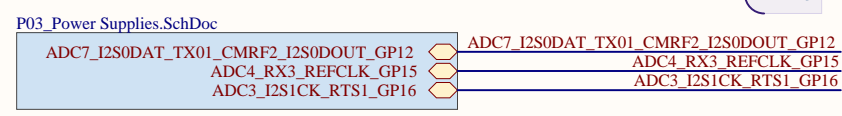
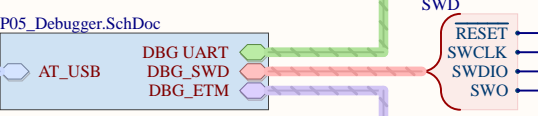
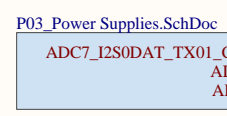
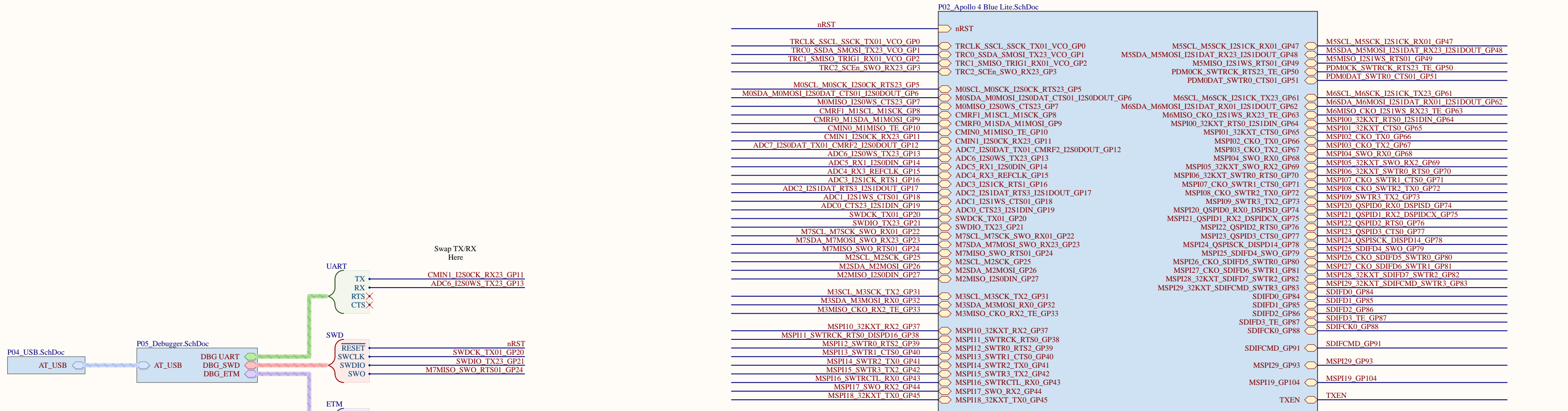
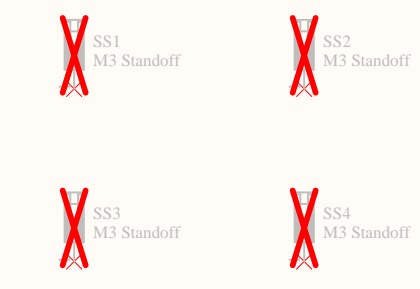


Apollo4 Blue Lite EVB Connection Diagram

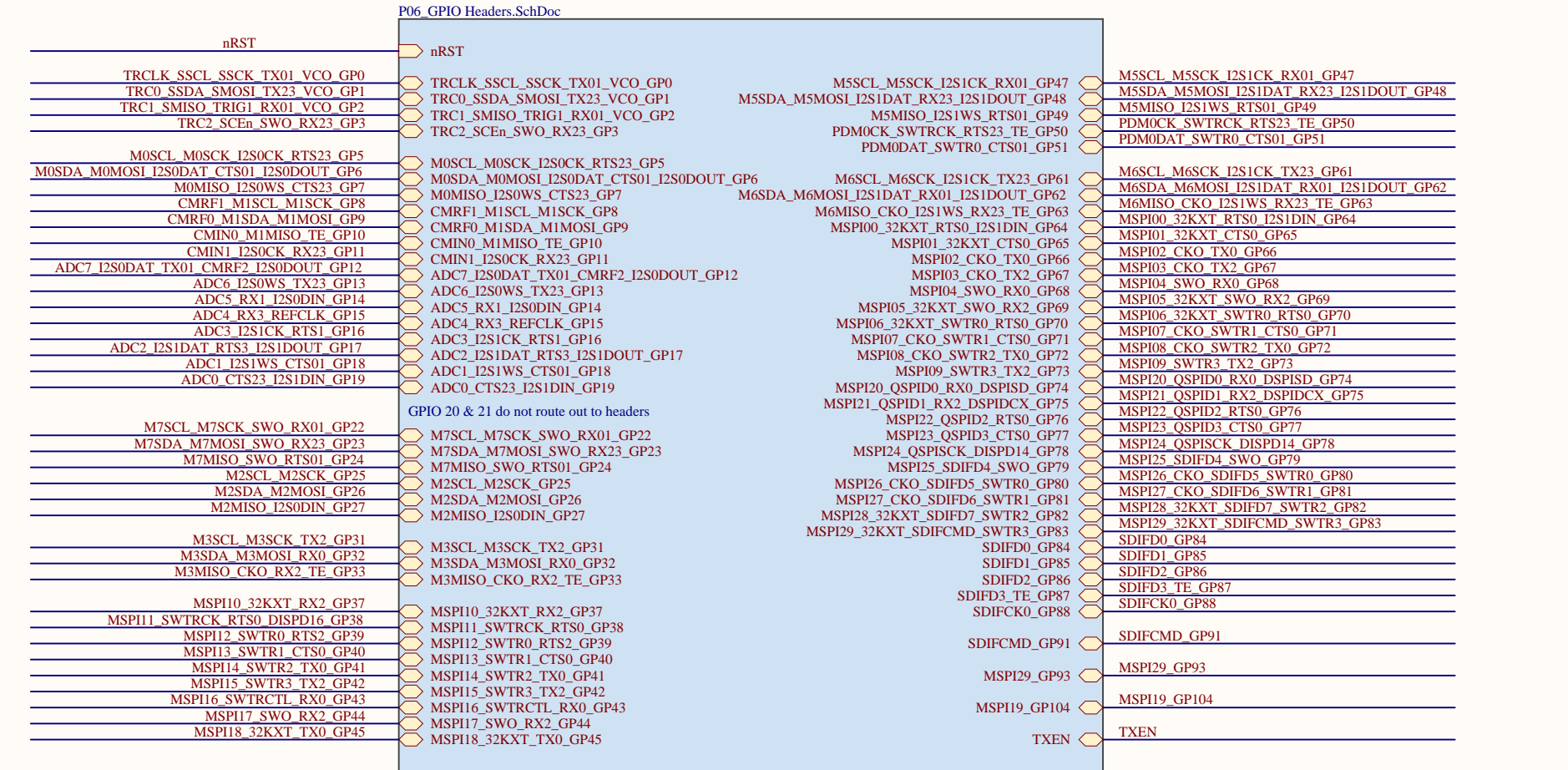
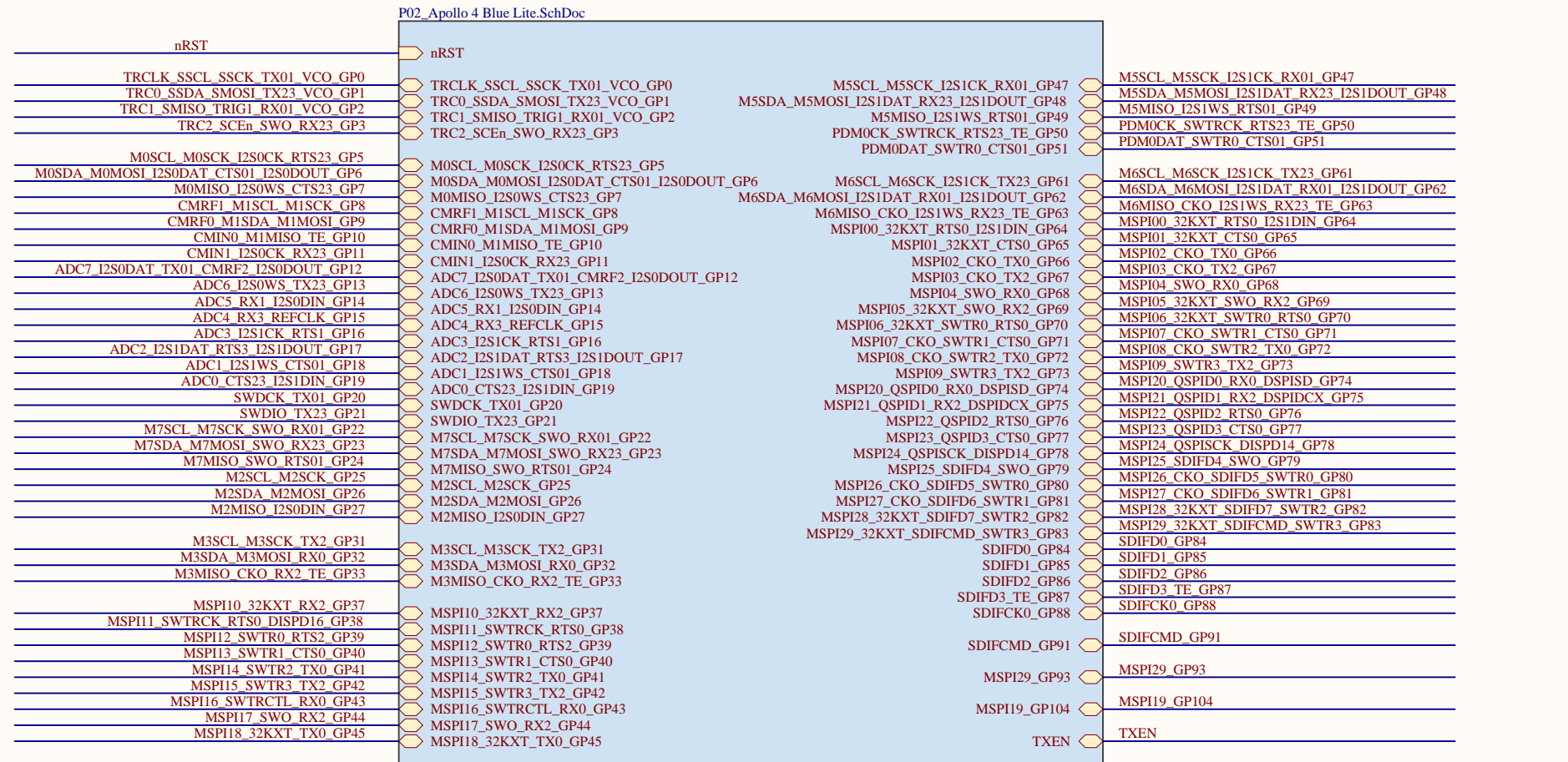


Stand Offs



Revision History

3/8/2023
 1) Initial release

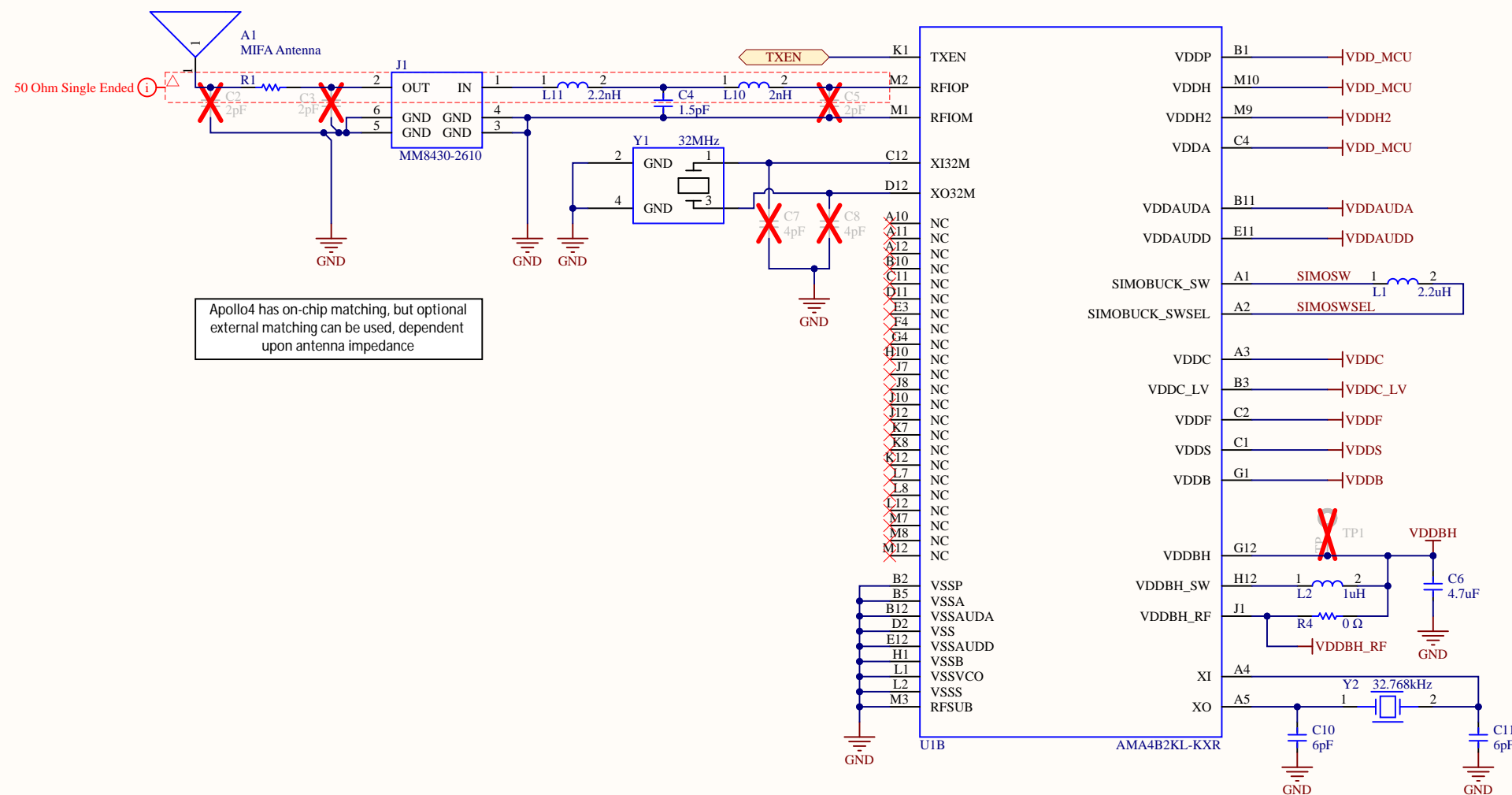
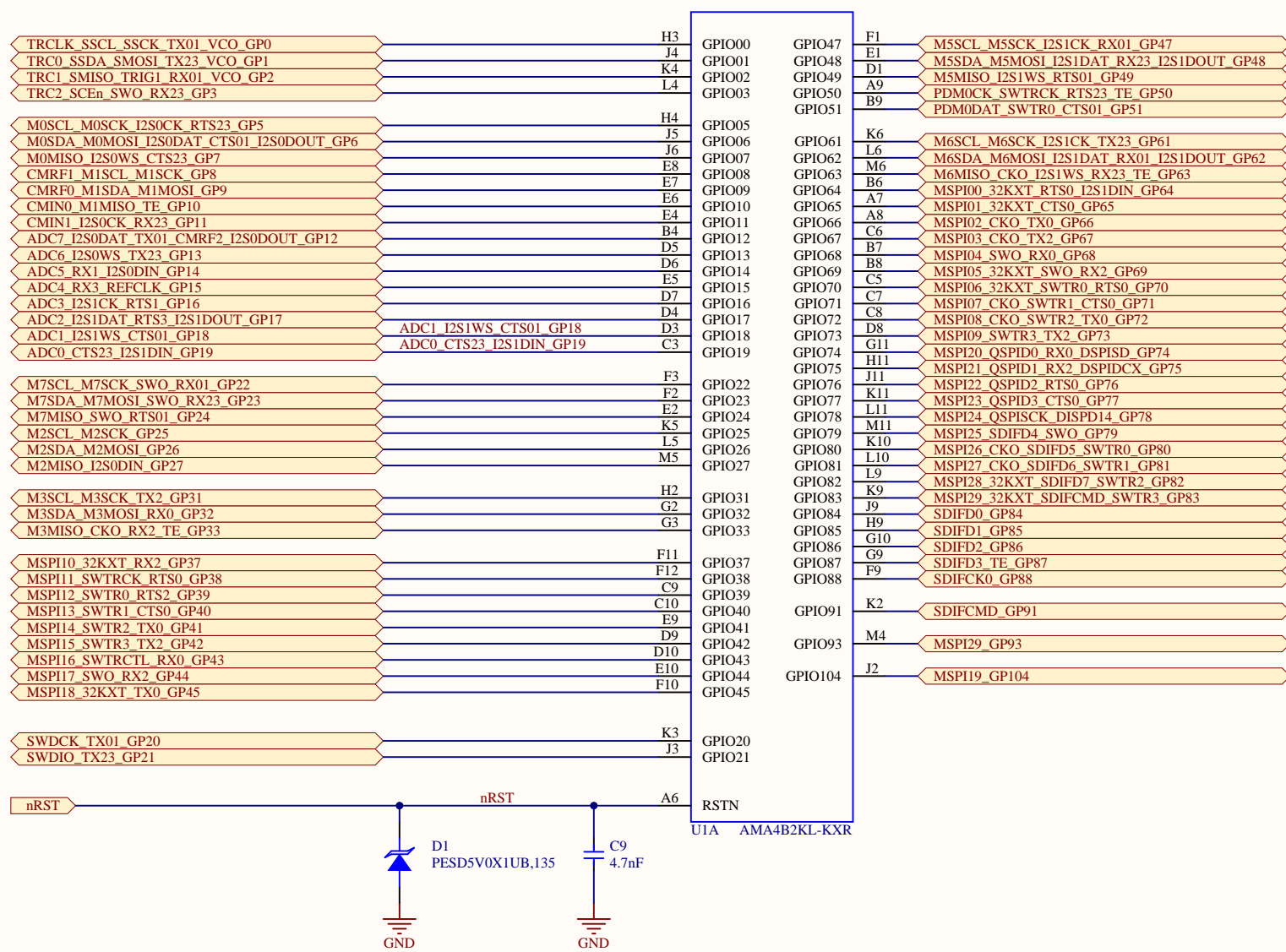


ambiq

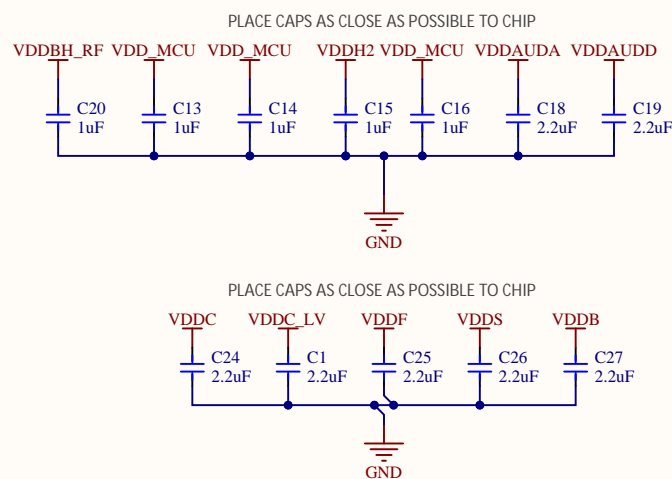
6500 River Place Boulevard
 Building 7, Suite 200
 Austin, TX 78730
 +1 (512) 879-2850

Title: Apollo4 Blue Lite EVB
 Sheet Name: P01_Top Level
 Date: 3/2/2023
 Number: AMA4BLEVB

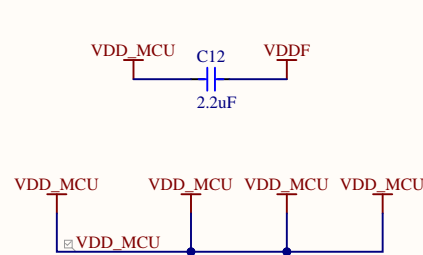
Revision: 1.0
 Sheet 1 of 7
 Drawn By: Chad Crosby
 Aprvd By: Daniel Lanzzone



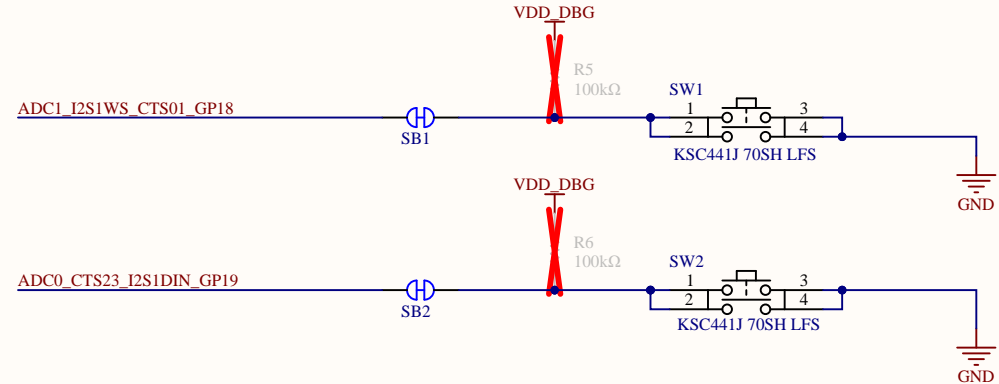
Decoupling Capacitors



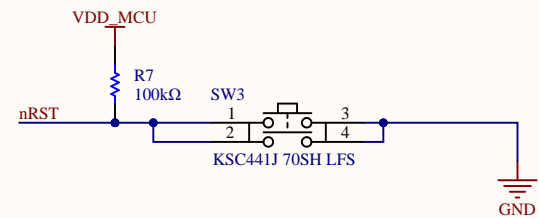
Power Supply Connections



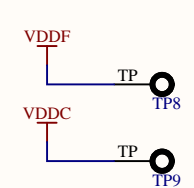
Push Buttons



nRST Push Button



Test Points



ambiq

6500 River Place Boulevard
Building 7, Suite 200
Austin, TX 78730
+1 (512) 879-2850

Title: Apollo4 Blue Lite EVB
Revision: 1.0

Sheet Name: P02_Apollo 4 Blue Lite
Sheet 2 of 7

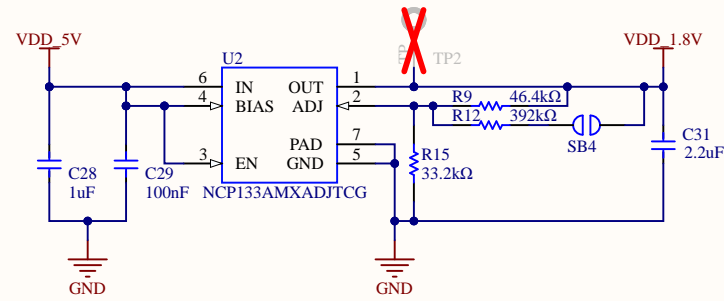
Date: 3/2/2023
Drawn By: Chad Crosby
3/2/2023

Number: AMA4BLEVB
Aprvd By: Daniel Lanzone
3/8/2023

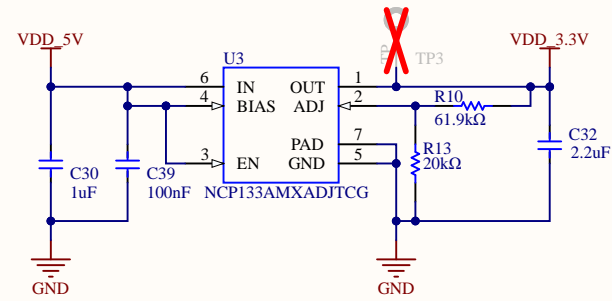
This document contains information proprietary to Ambiq and shall not be used, reproduced, or disclosed to others, in part or in whole, without express written permission from Ambiq.

1.9V Regulator

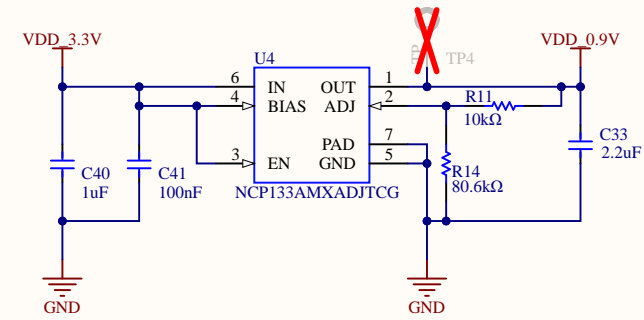
1.9V Default. Connect SB4 for 1.8V



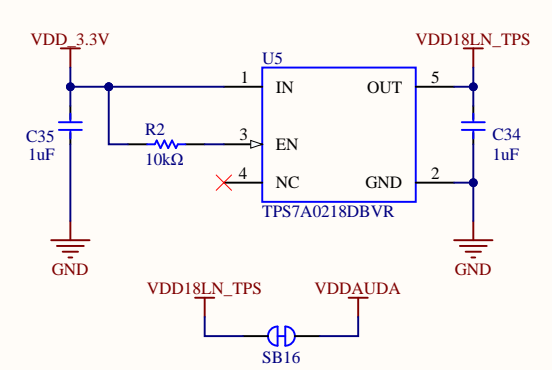
3.3V Regulator



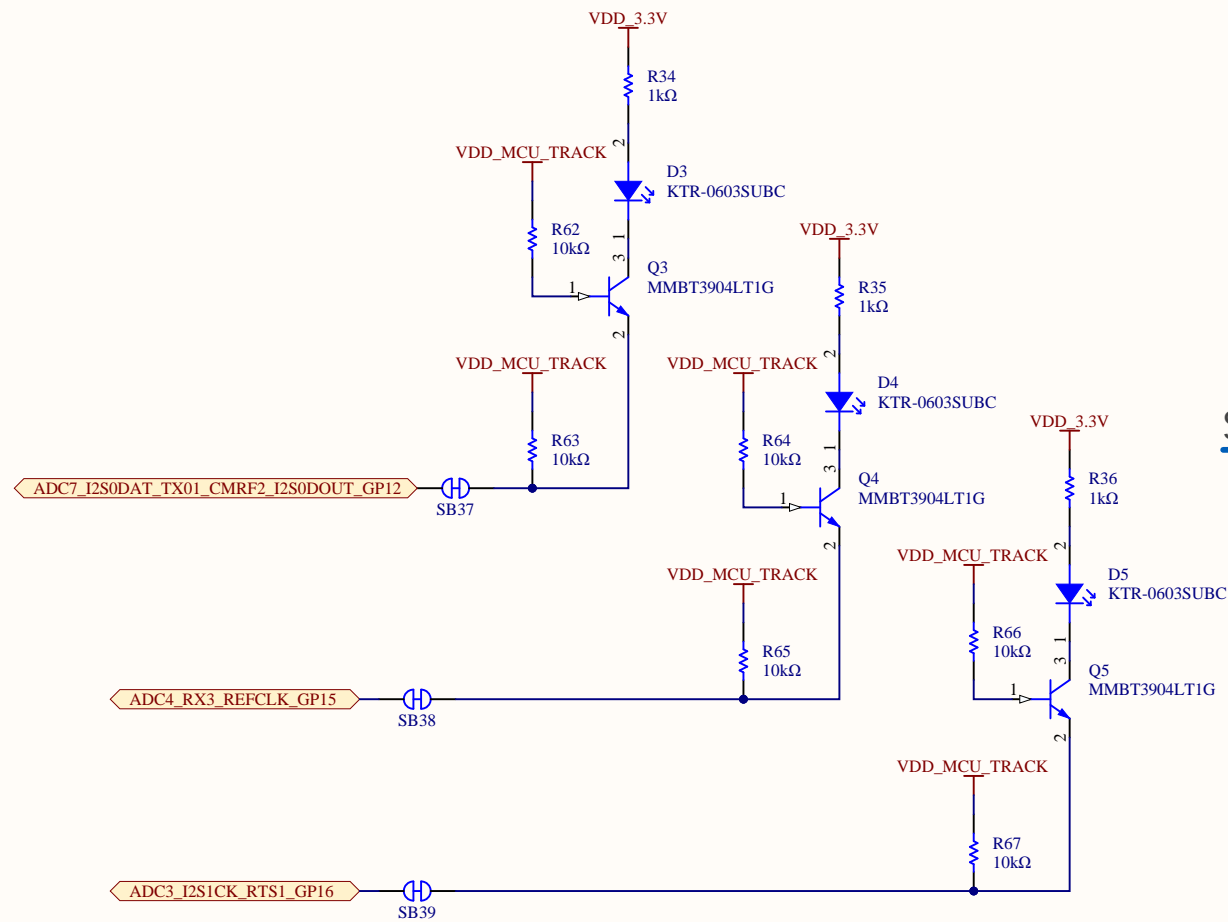
0.9V USB Supply



1.8V Low Noise Supply

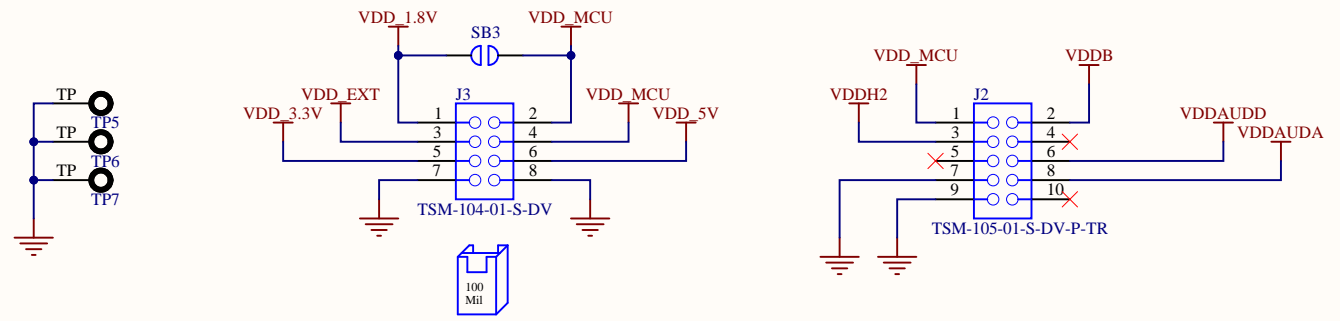


LED GPIO Solder-Bridges

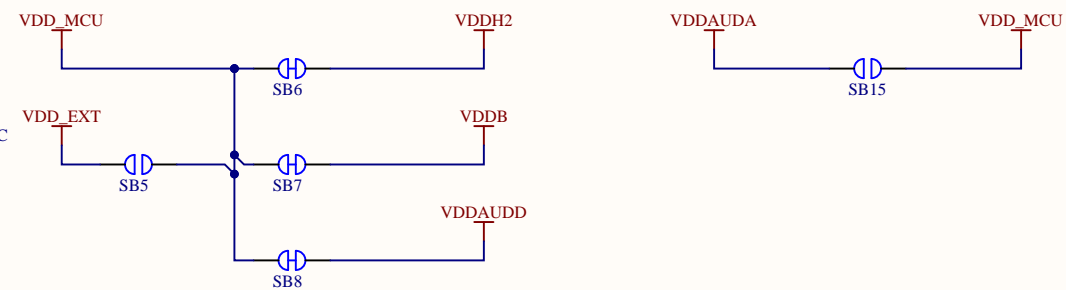


Testpoints

Pins 1 & 2 on J3 shall be jumpered by default



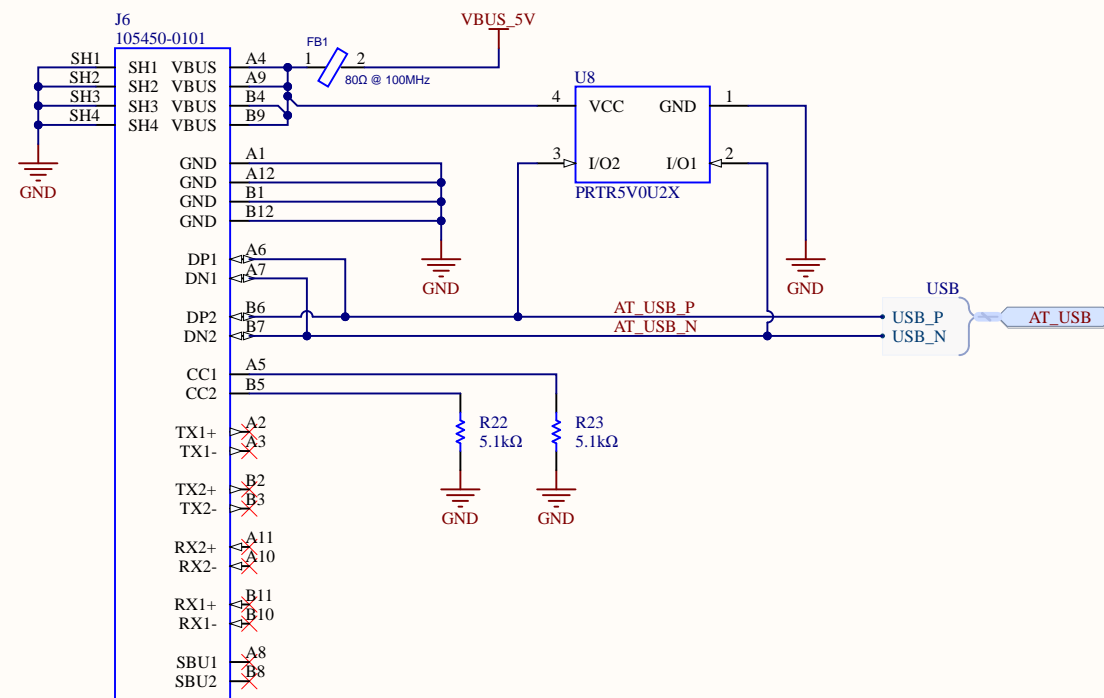
Supply Solder Bridges



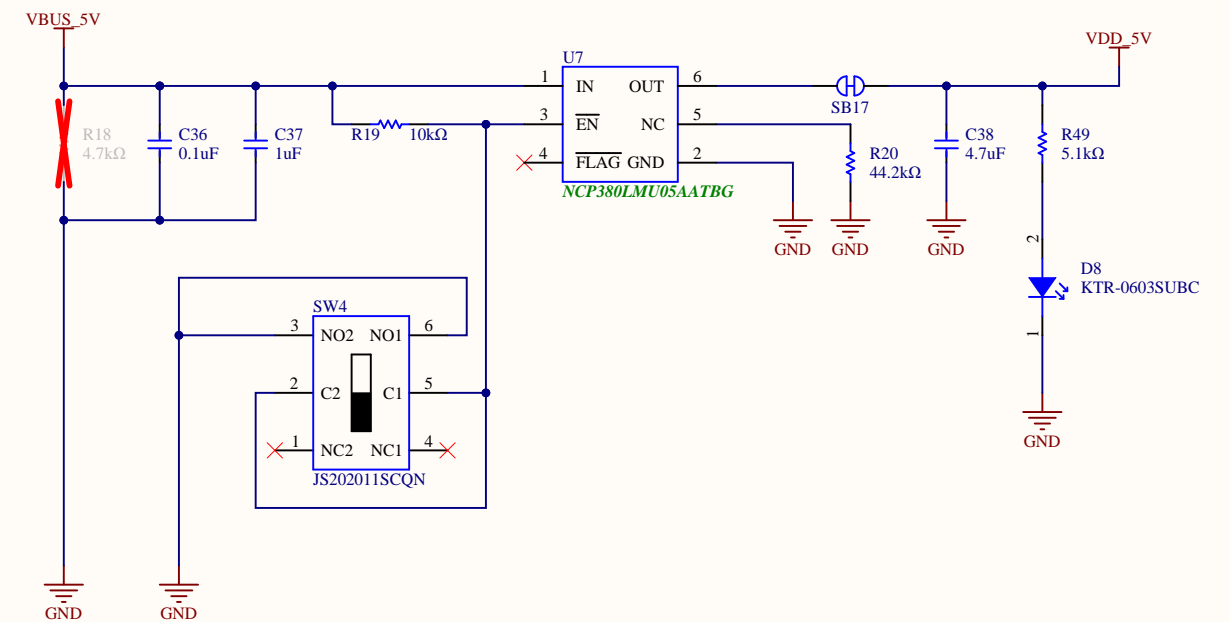
6500 River Place Boulevard
Building 7, Suite 200
Austin, TX 78730
+1 (512) 879-2850


Title	Apollo4 Blue Lite EVB		Revision	1.0
Sheet Name	P03_Power Supplies		Sheet 3 of 7	
Date	2/27/2023	Drawn By	Chad Crosby	2/27/2023
Number	AMA4BLEVB	Aprvd By	Daniel Lanzone	3/8/2023
This document contains information proprietary to Ambiq and shall not be used, reproduced, or disclosed to others, in part or in whole, without express written permission from Ambiq.				

Onboard J-Link USB Connector



USB Protection Circuit

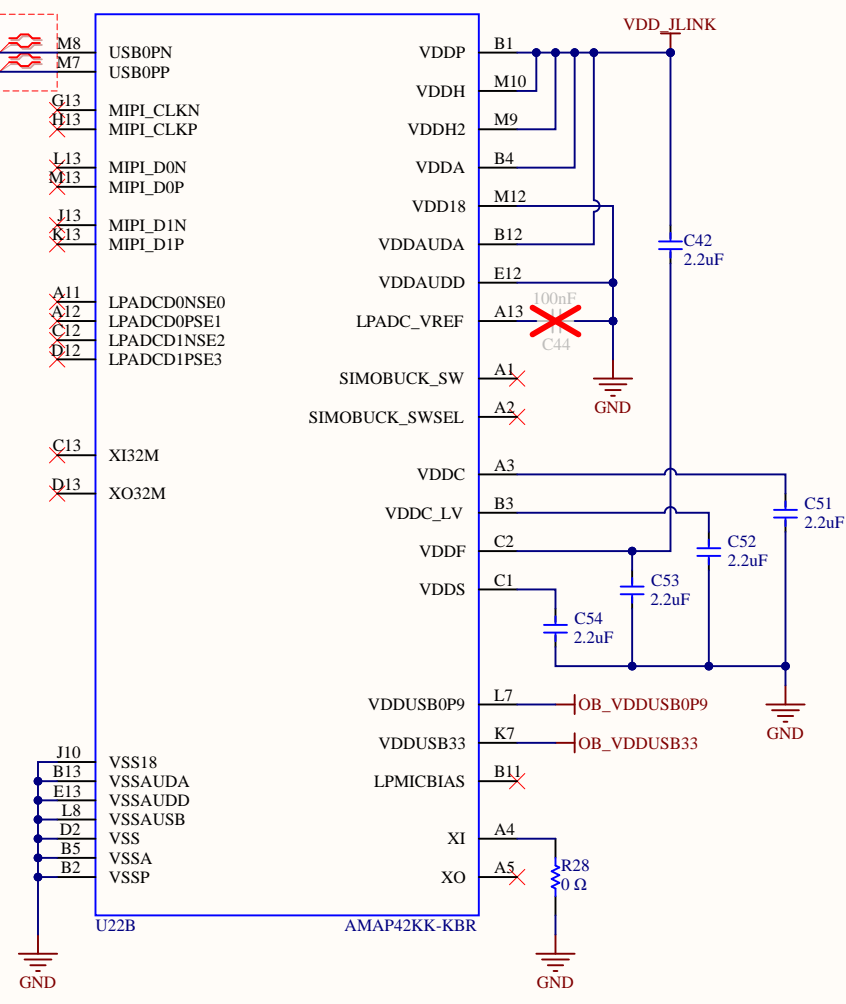
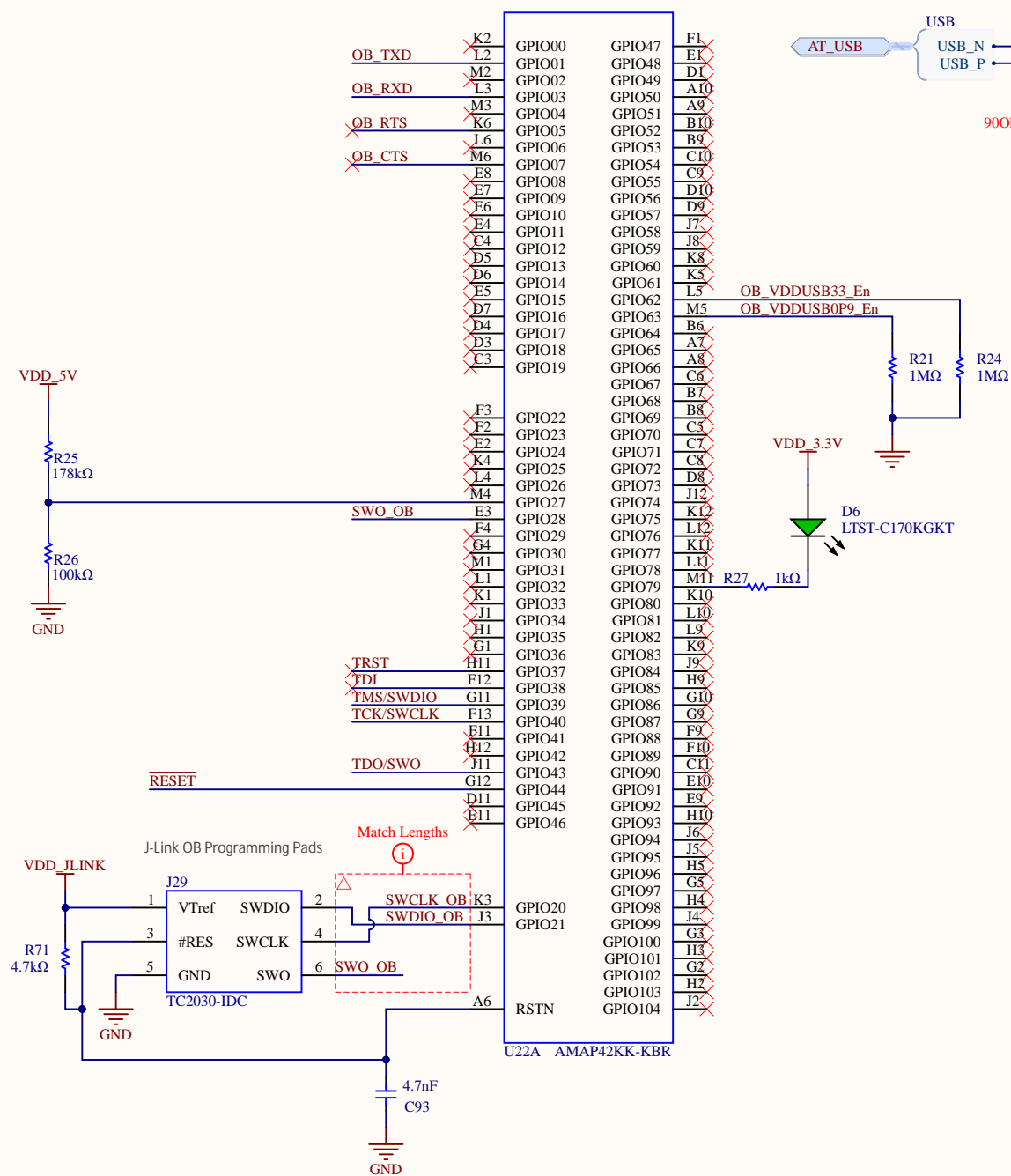


	Title		Apollo4 Blue Lite EVB	Revision	1.0
	Sheet Name		P04_USB		
Date		2/27/2023	Drawn By	Chad Crosby	2/27/2023
Number		AMA4BLEVB	Aprvd By	Daniel Lanzone	3/8/2023
<small>This document contains information proprietary to Ambiq and shall not be used, reproduced, or disclosed to others, in part or in whole, without express written permission from Ambiq.</small>					

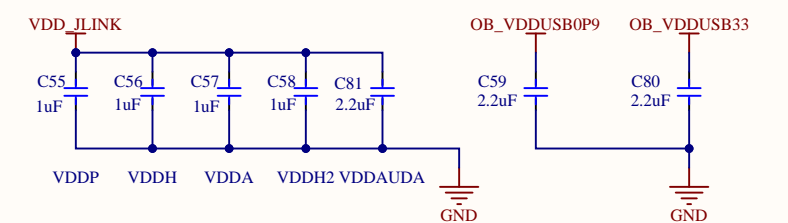
6500 River Place Boulevard
 Building 7, Suite 200
 Austin, TX 78730
 +1 (512) 879-2850

Sheet 4 of 7

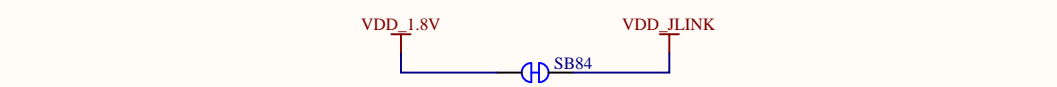
J-LINK Onboard Debugger



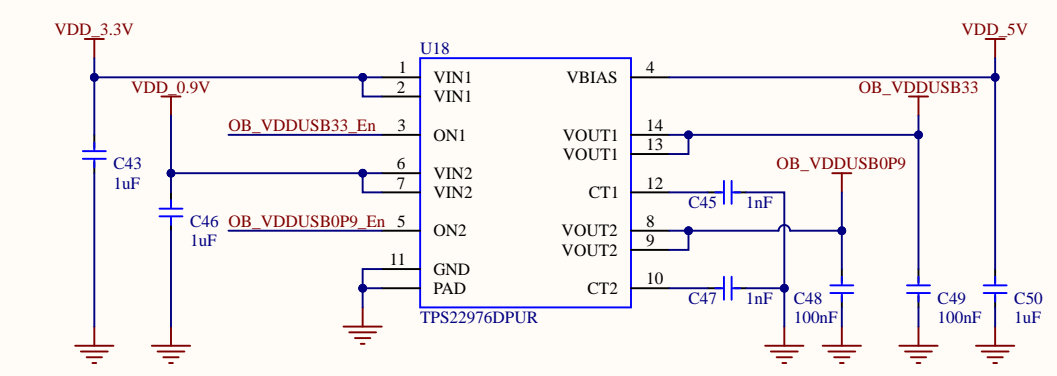
Decoupling Capacitors



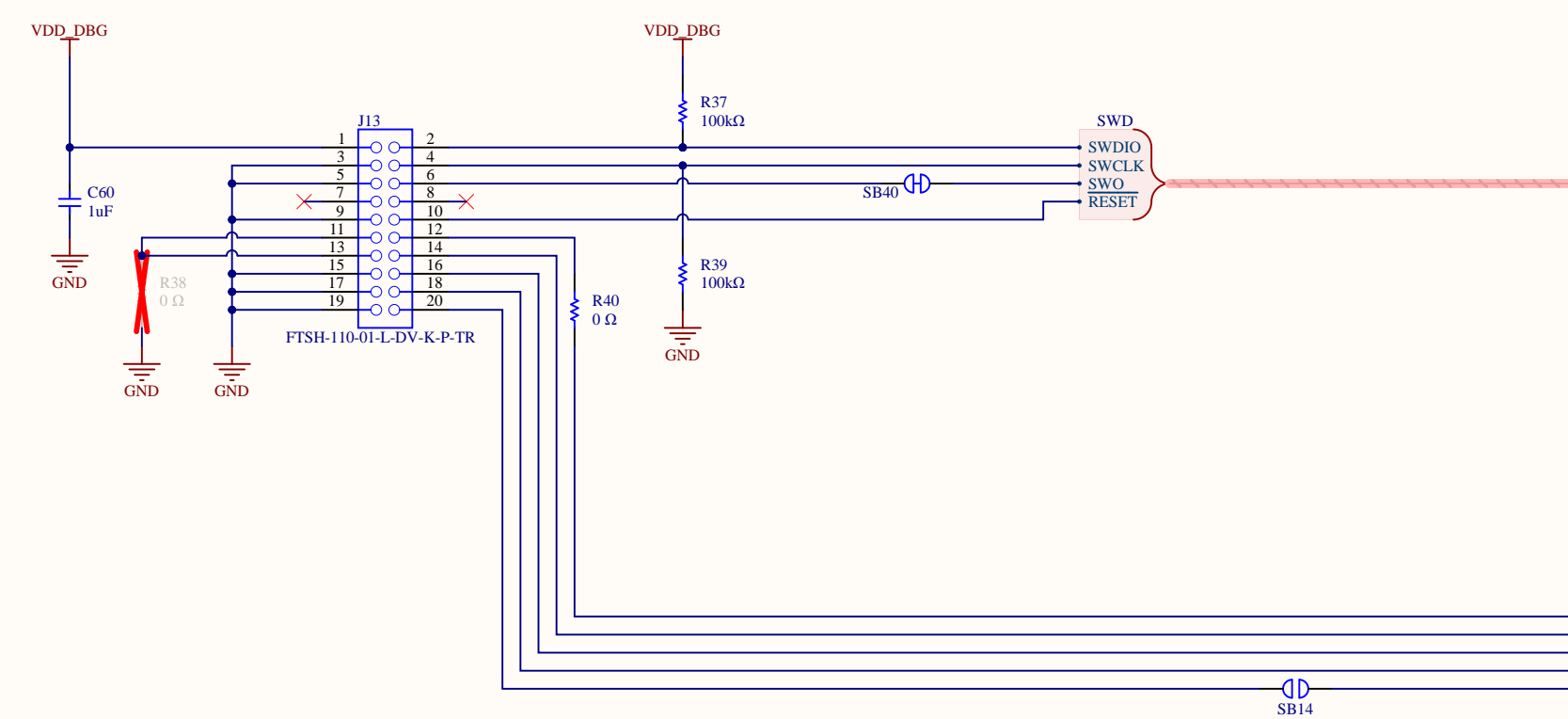
J-Link Voltage Disconnect Solder-Bridge



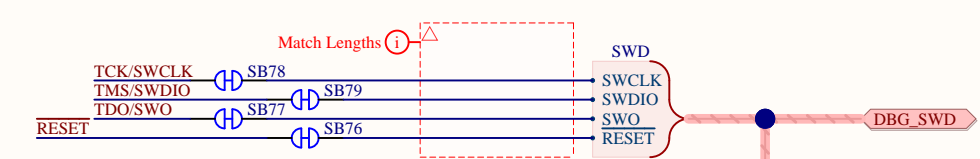
USB Sequencing



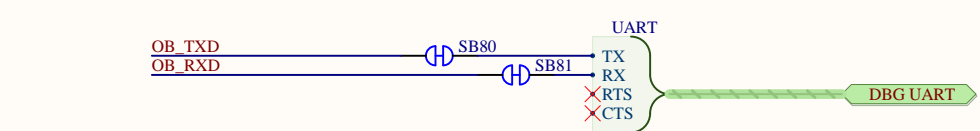
Debug-In Header



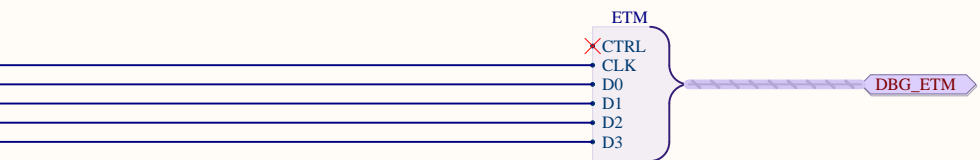
Target Debug Interface



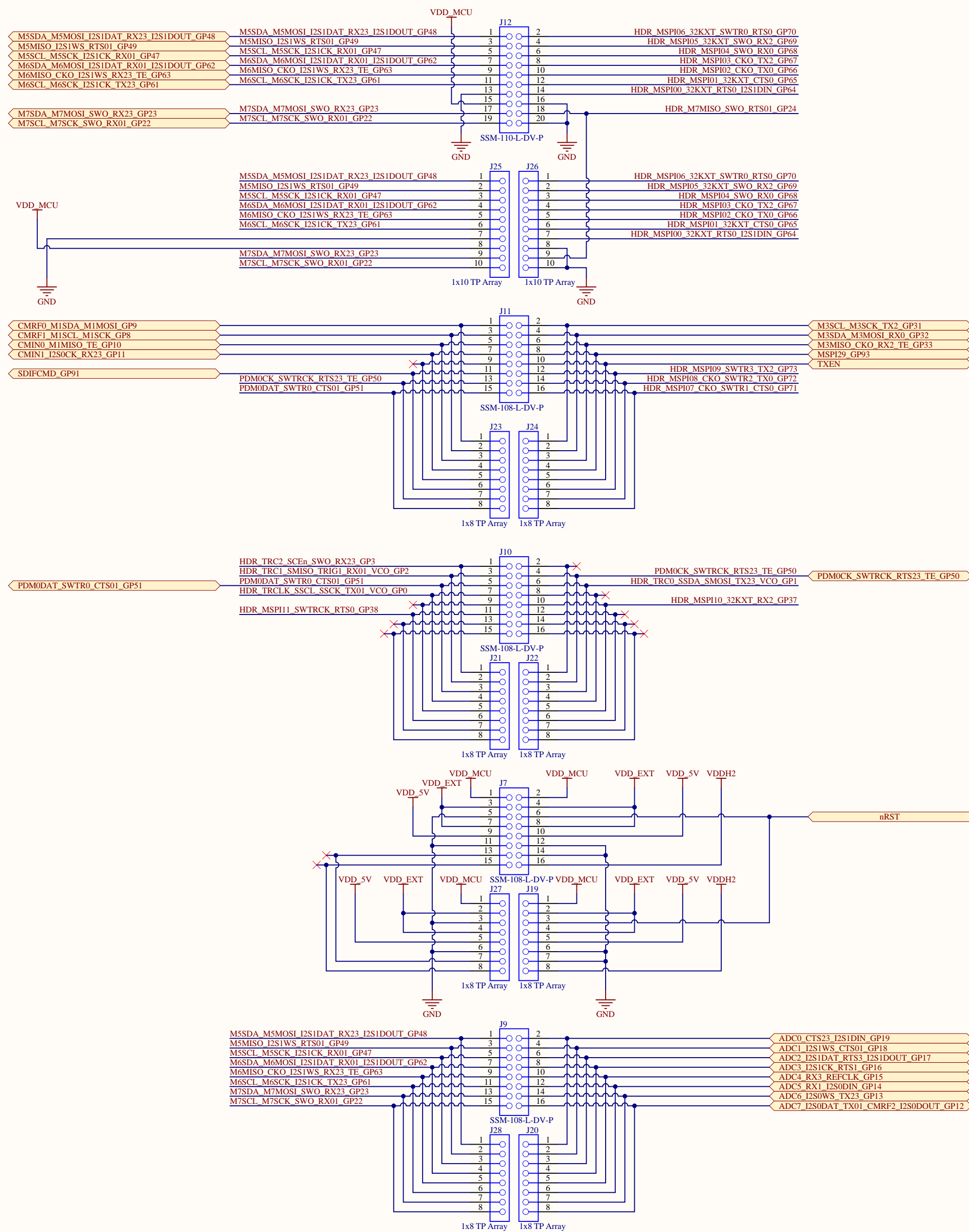
VCOM Interface



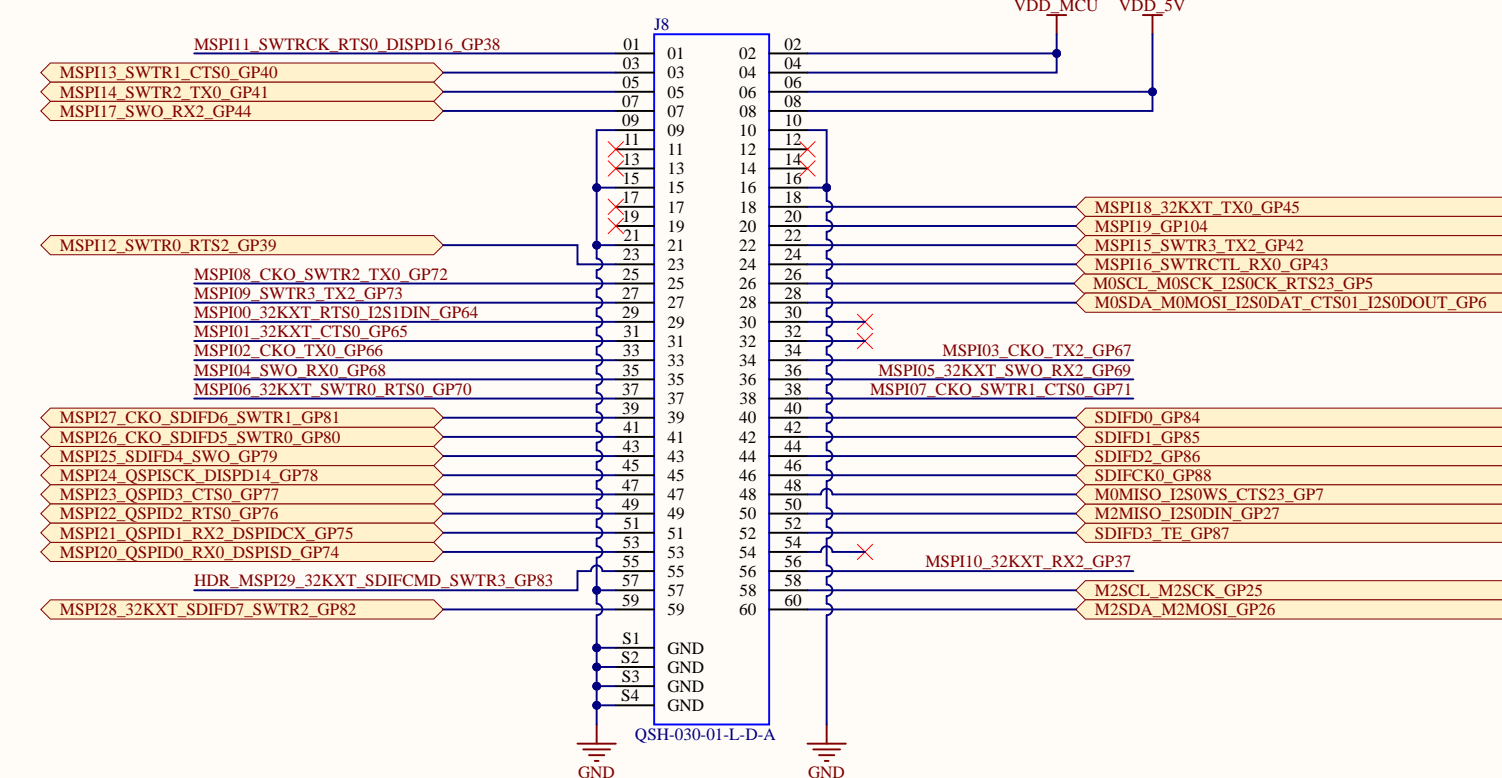
ETM Interface



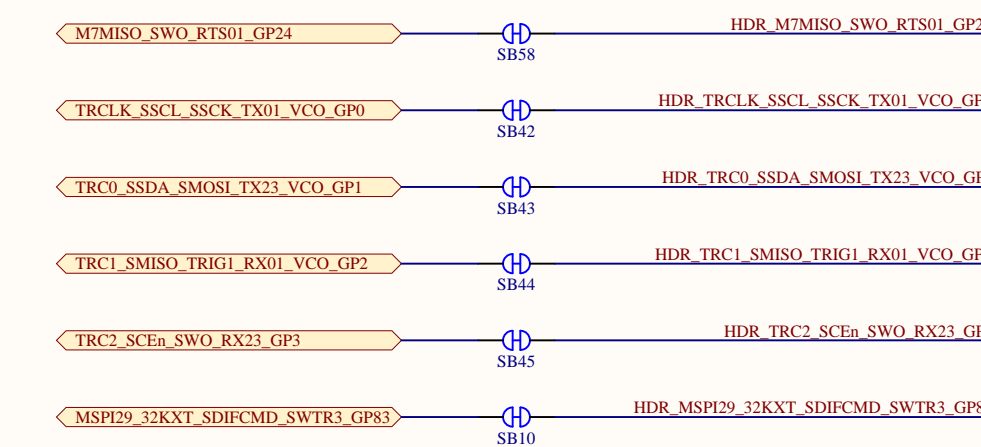
GPIO Headers and Testpoint Arrays



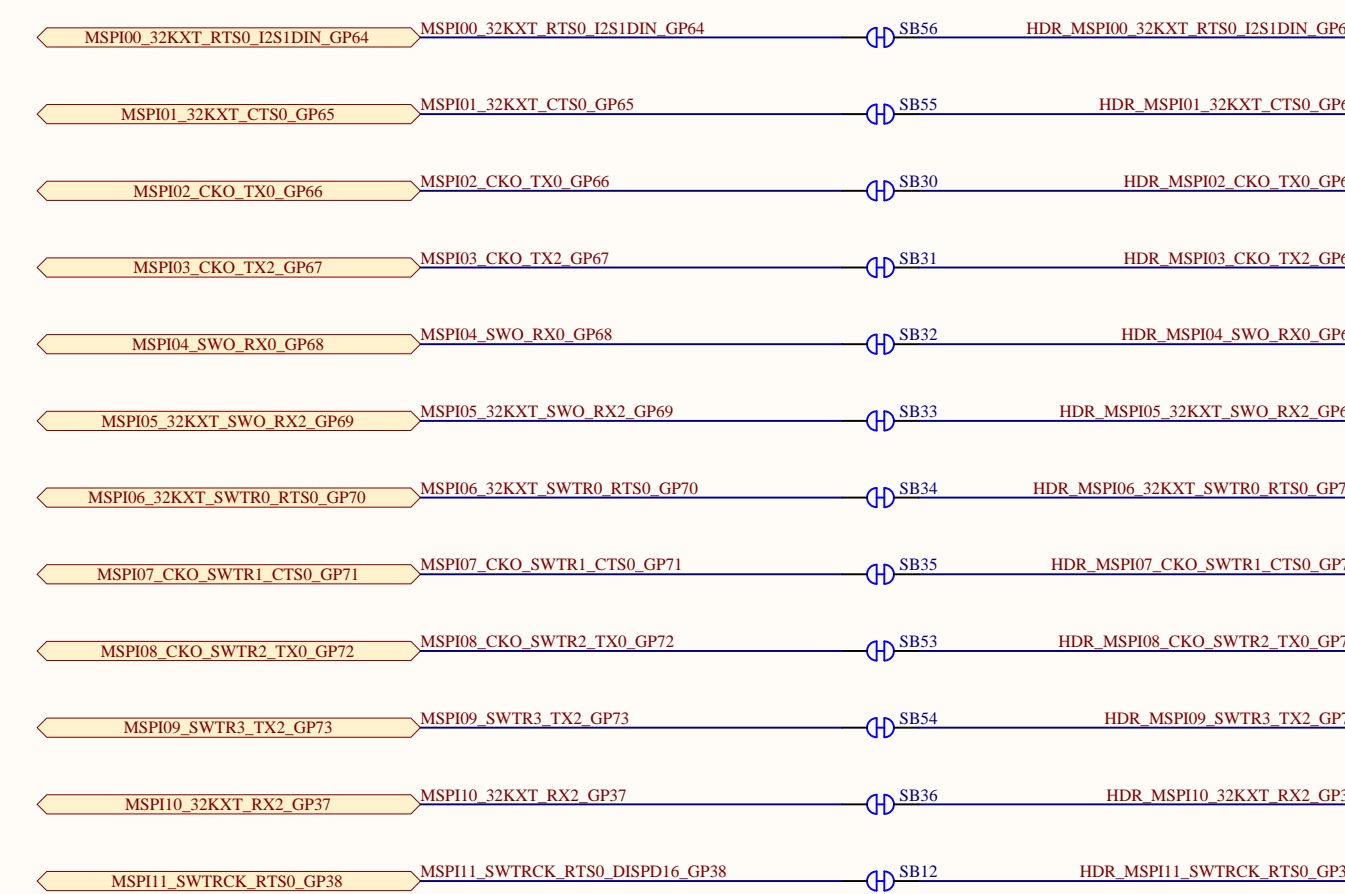
High-Speed Header



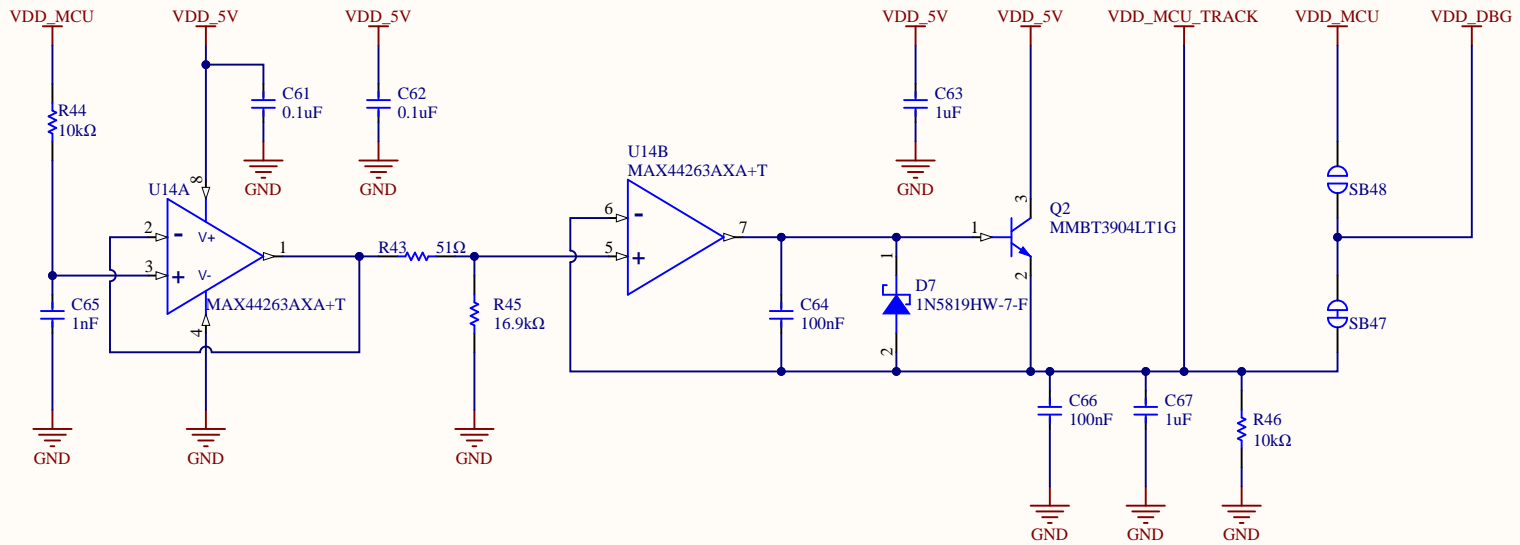
Debug Signal to GPIO Connector Solder-Bridges



Display Controller GPIO Solder-Bridges



Power Supply Tracker



6500 River Place Boulevard
 Building 7, Suite 200
 Austin, TX 78730
 +1 (512) 879-2850

Title		Apollo4 Blue Lite EVB		Revision		1.0	
Sheet Name		P07_Power Supply Track		Sheet 7 of 7			
Date	1/30/2023	Drawn By	Chad Crosby	1/30/2023			
Number	AMA4BLEVB	Aprvd By	Daniel Lanzone	3/8/2023			

This document contains information proprietary to Ambiq and shall not be used, reproduced, or disclosed to others, in part or in whole, without express written permission from Ambiq.