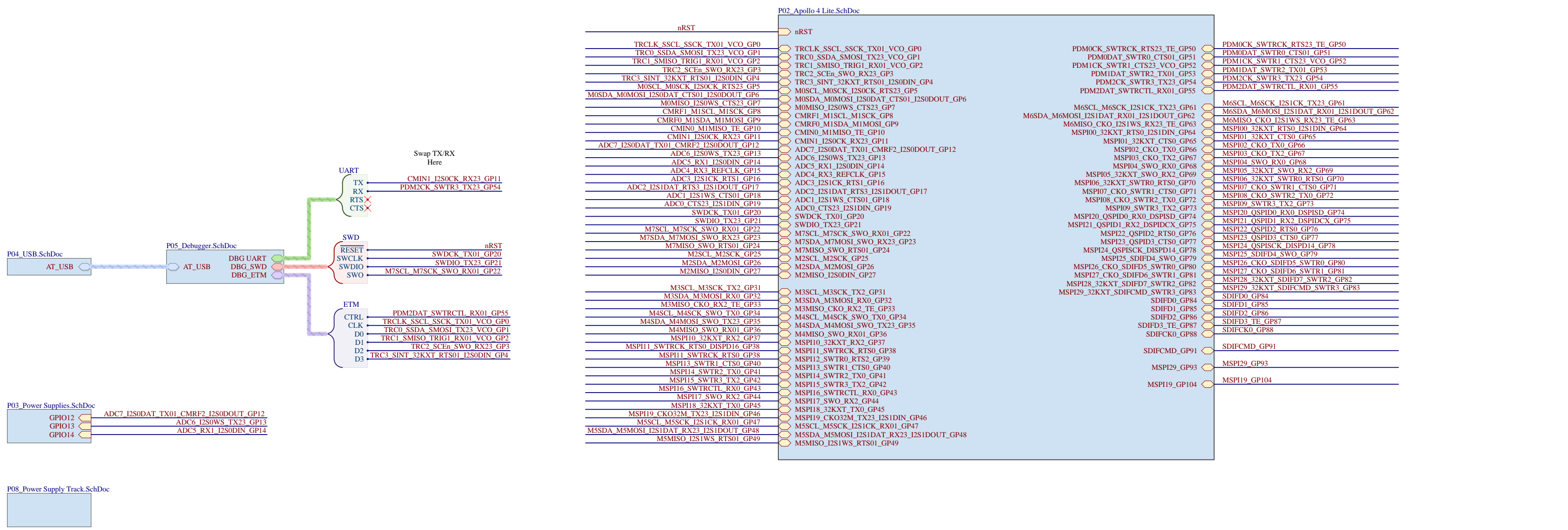
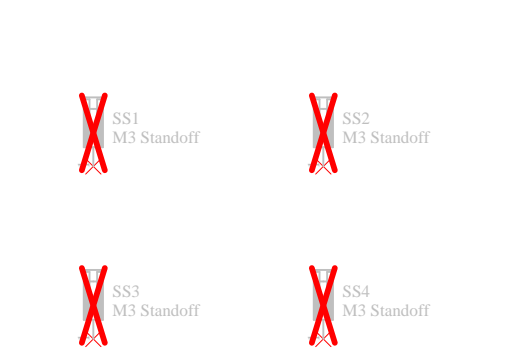


Apollo4 Lite EVB Connection Diagram

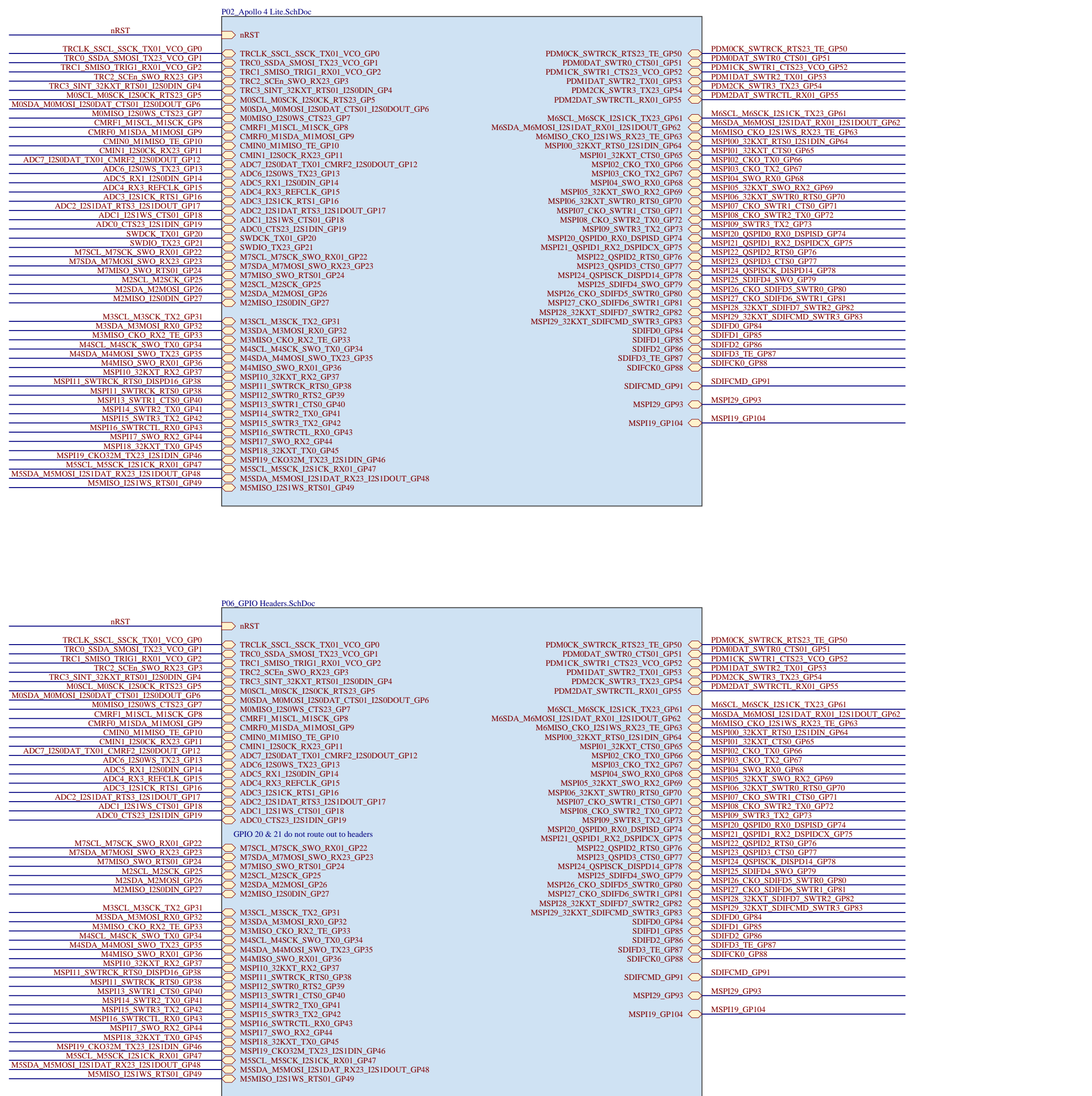


Stand Offs



Revision History

03/01/2023
1) Initial release



ambiq

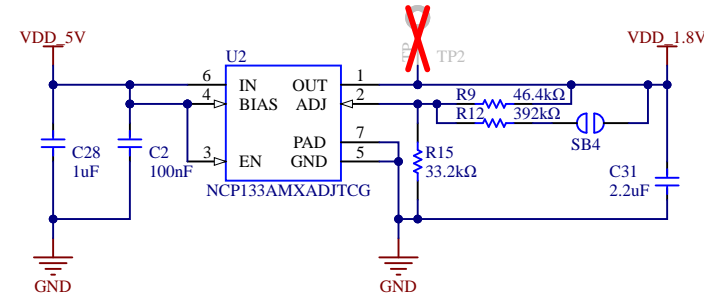
6500 River Place Boulevard
Building 7, Suite 200
Austin, TX 78730
+1 (512) 879-2850

Title: Apollo4 Lite EVB
Revision: 1.0
Sheet Name: P01_Top Level
Sheet 1 of 7
Date: 6/14/2023
Drawn By: Chad Crosby
Number: AMAP4LEVB
Aprvd By: Daniel Lanzone
6/14/2023

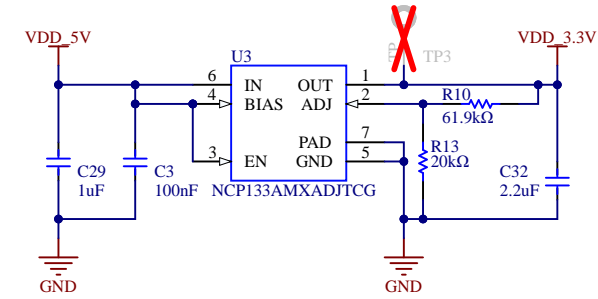
This document contains information proprietary to Ambiq and shall not be used, reproduced, or disclosed to others, in part or in whole, without express written permission from Ambiq.

1.9V Regulator

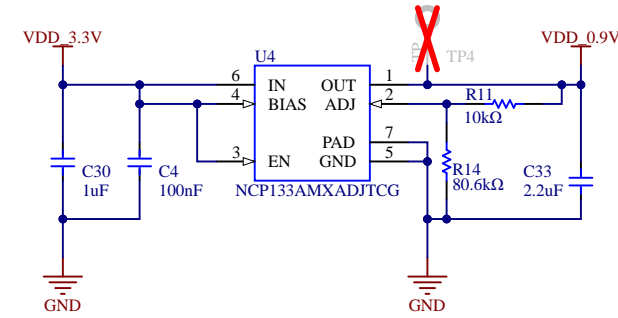
1.9V Default. Connect SB4 for 1.8V



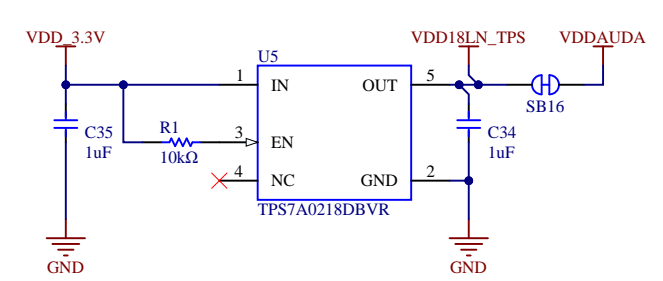
3.3V Regulator



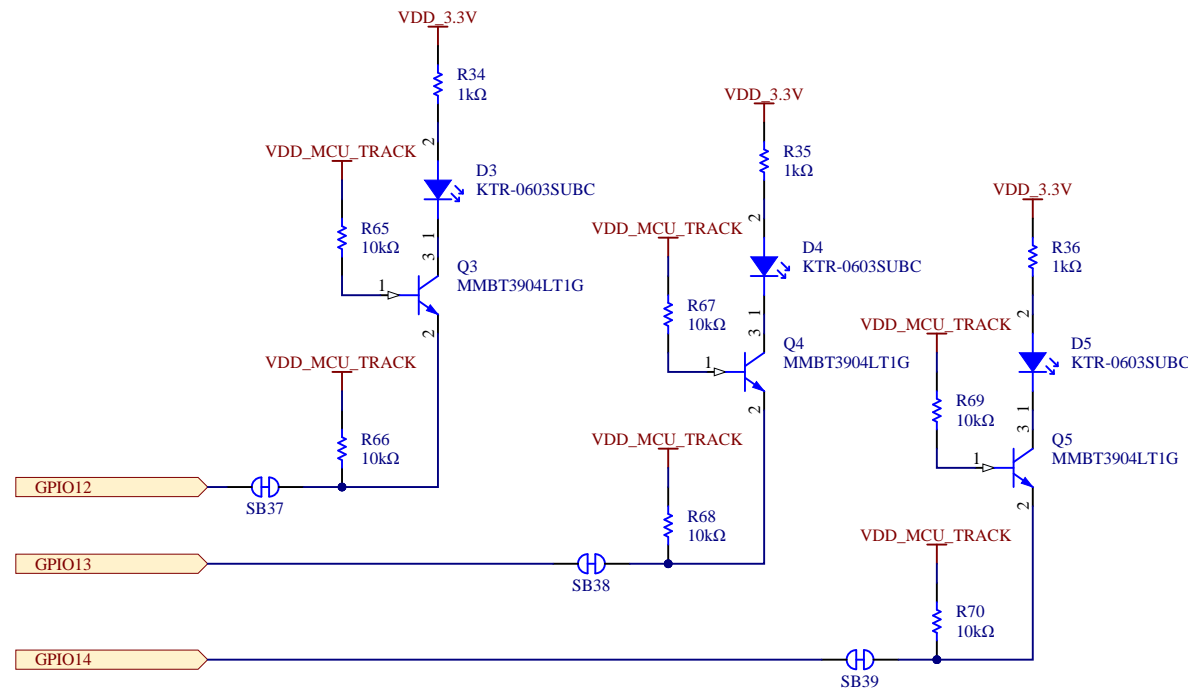
0.9V USB Supply



1.8V Low Noise Supply

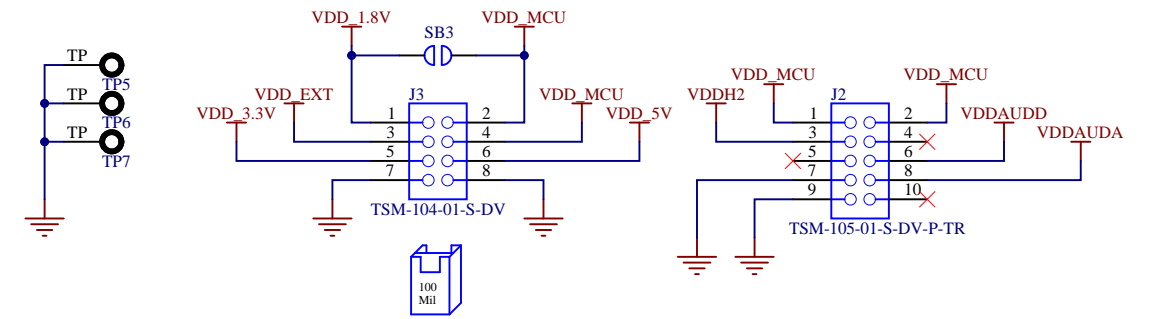


LED GPIO Solder-Bridges

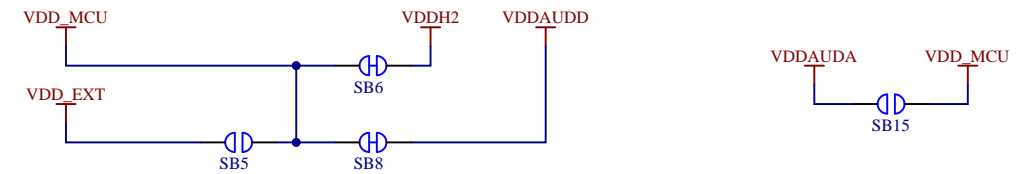


Testpoints

Pins 1 & 2 on J3 shall be jumpered by default



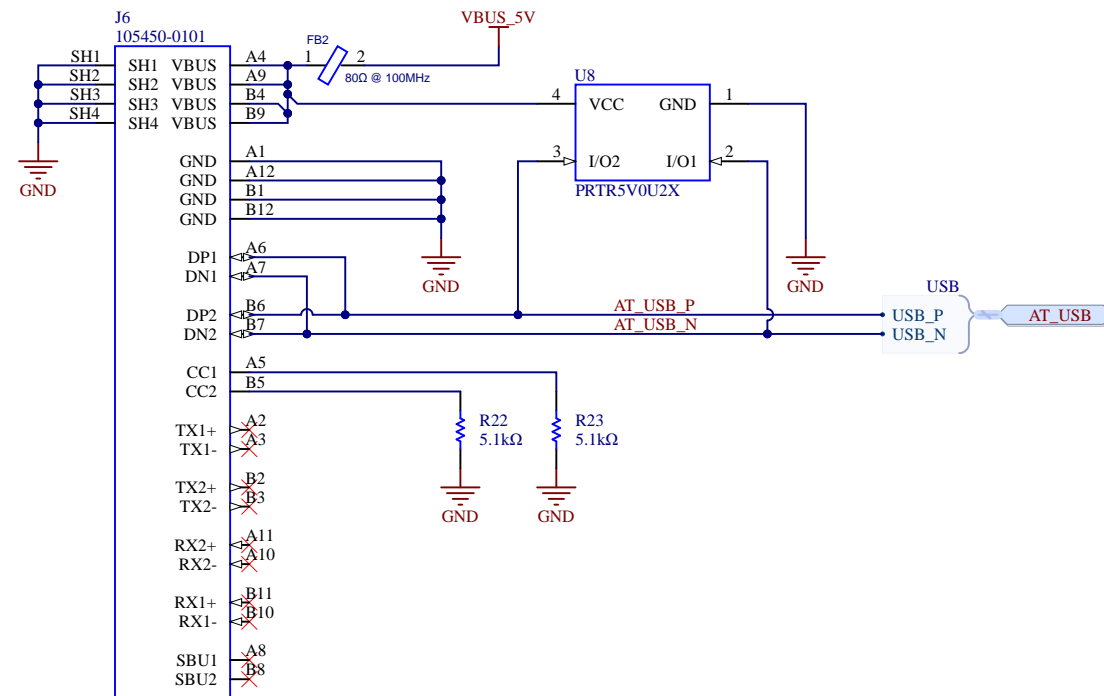
Supply Solder Bridges



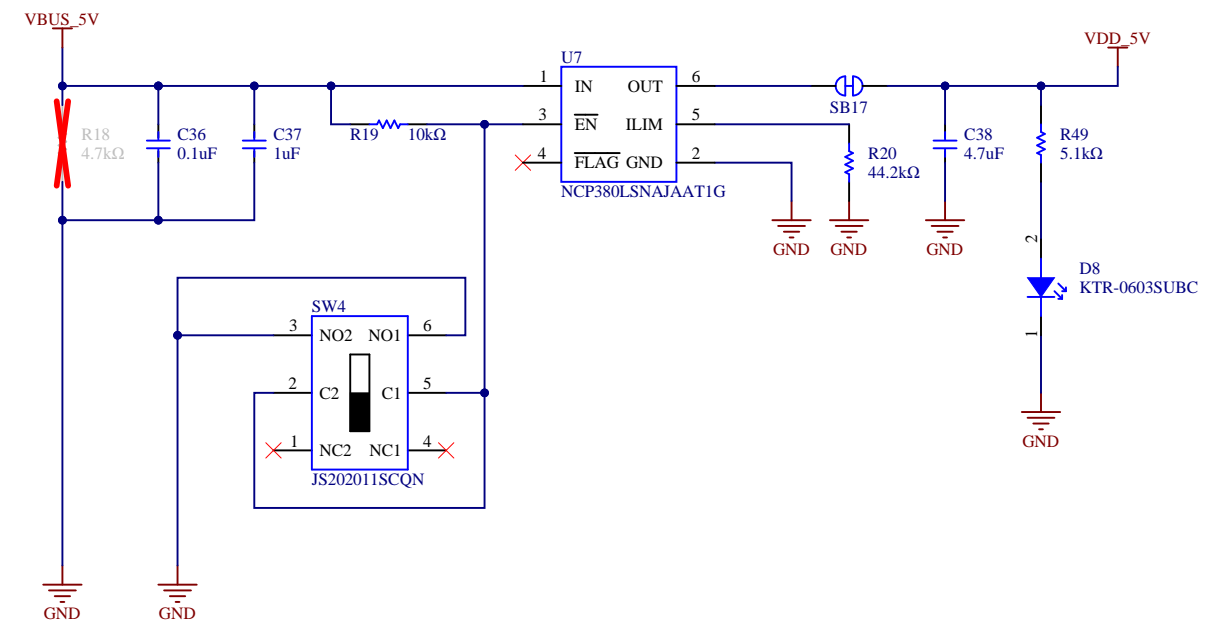
6500 River Place Boulevard
Building 7, Suite 200
Austin, TX 78730
+1 (512) 879-2850


Title	Apollo4 Lite EVB		Revision	1.0
Sheet Name	P03_Power Supplies		Sheet 3 of 7	
Date	6/14/2023	Drawn By	Chad Crosby	6/14/2023
Number	AMAP4LEVB	Aprvd By	Daniel Lanzone	6/14/2023
<small>This document contains information proprietary to Ambiq and shall not be used, reproduced, or disclosed to others, in part or in whole, without express written permission from Ambiq.</small>				

Onboard J-Link USB Connector

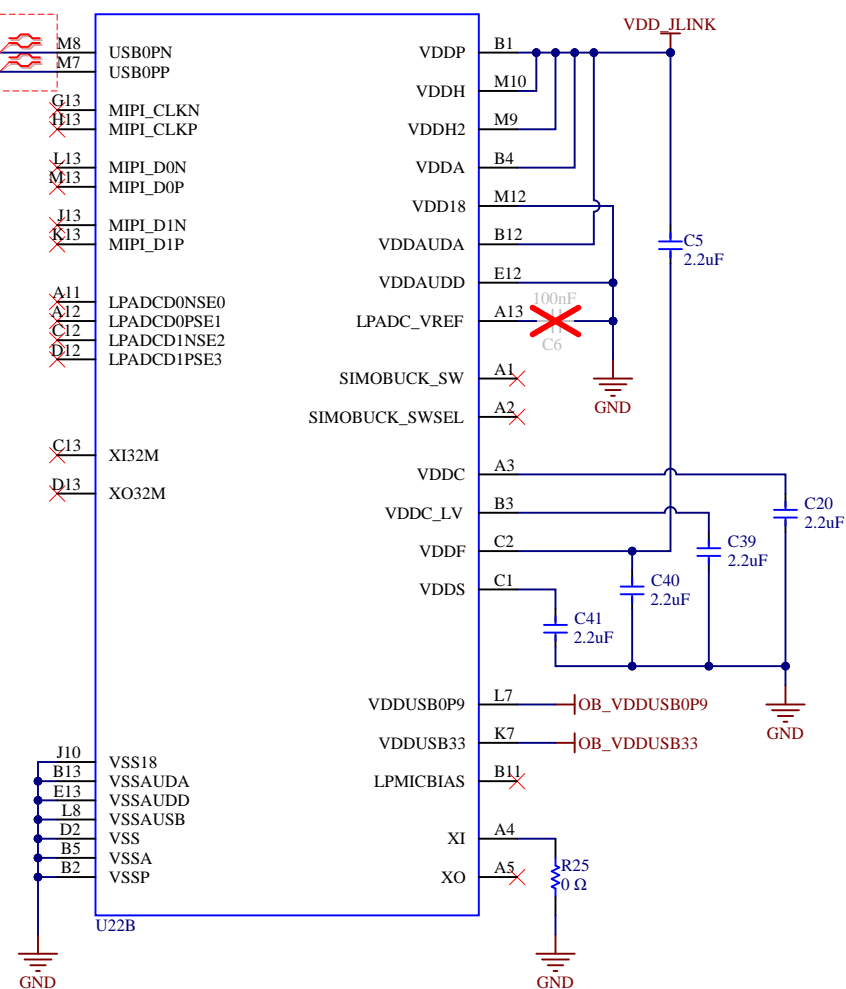
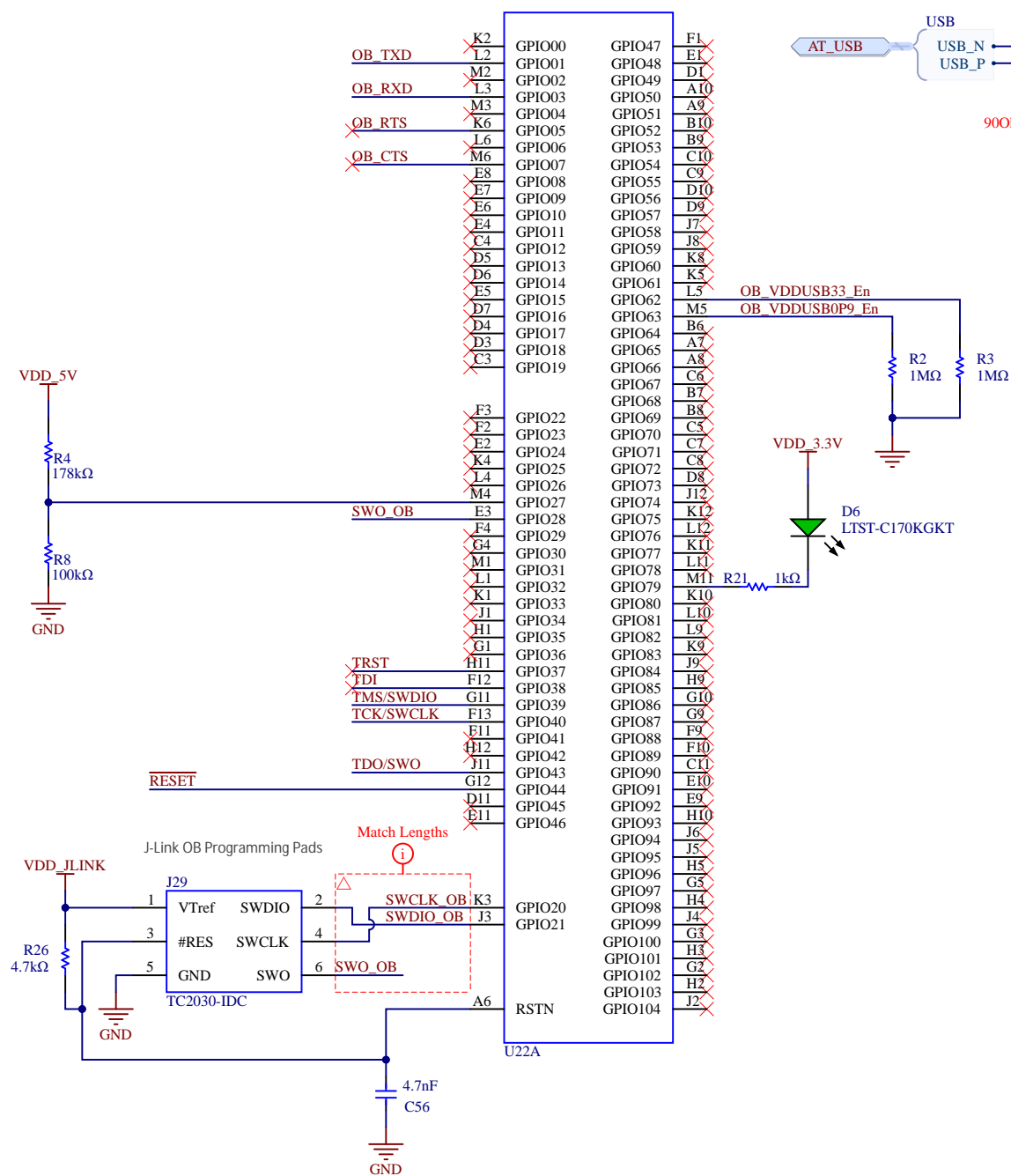


USB Protection Circuit

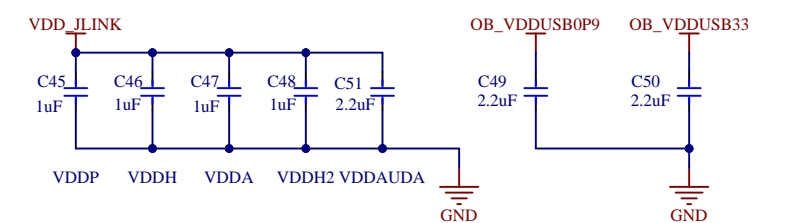


	Title		Revision	
	Apollo4 Lite EVB		1.0	
6500 River Place Boulevard Building 7, Suite 200 Austin, TX 78730 +1 (512) 879-2850	Sheet Name		Sheet 4 of 7	
	P04_USB			
Date	6/14/2023	Drawn By	Chad Crosby	6/14/2023
Number	AMAP4LEVB	Aprvd By	Daniel Lanzone	6/14/2023
<small>This document contains information proprietary to Ambiq and shall not be used, reproduced, or disclosed to others, in part or in whole, without express written permission from Ambiq.</small>				

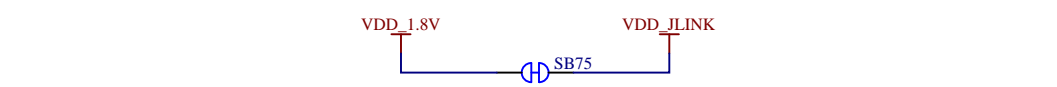
J-LINK Onboard Debugger



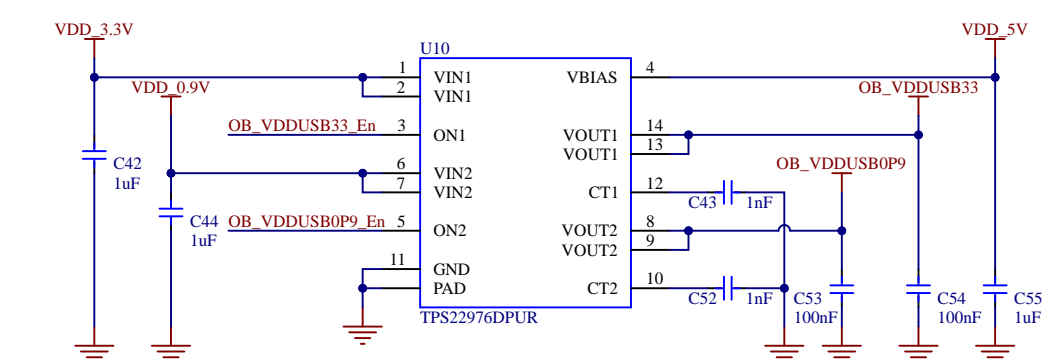
Decoupling Capacitors



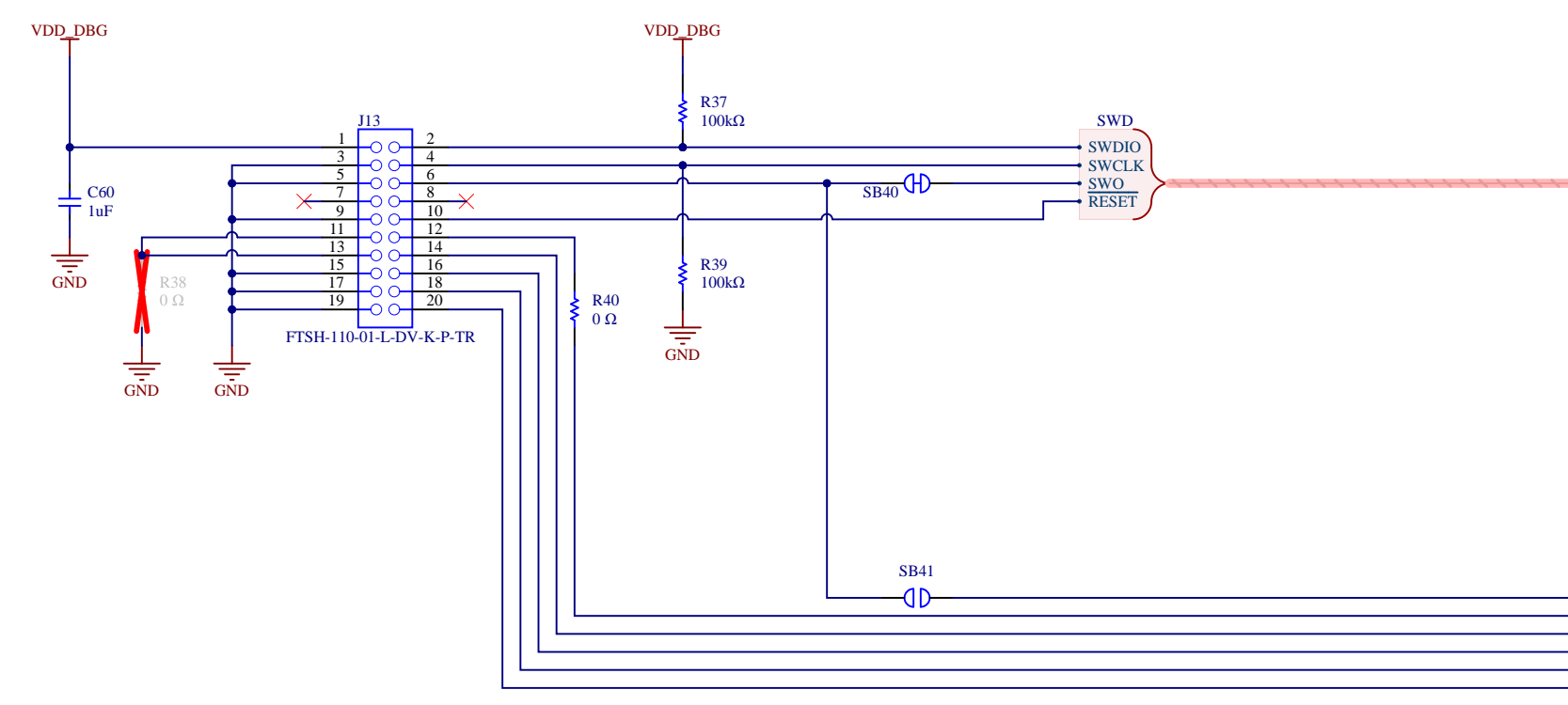
J-Link Voltage Disconnect Solder-Bridge



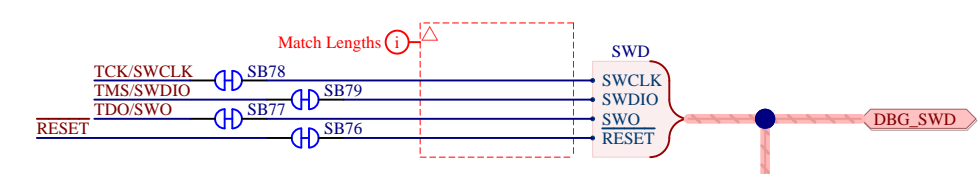
USB Sequencing



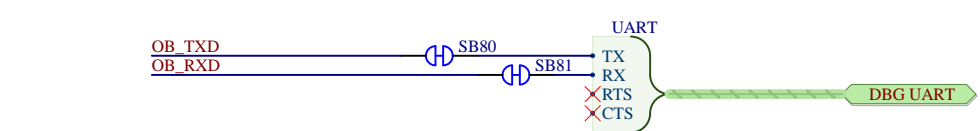
Debug-In Header



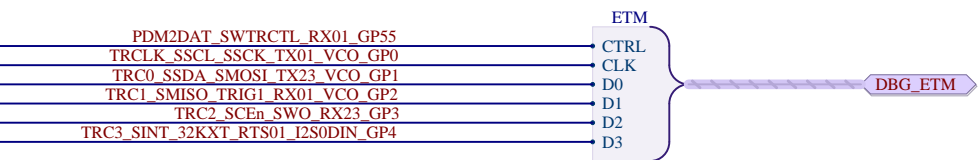
Target Debug Interface



VCOM Interface



ETM Interface



ambiq

Title: Apollo4 Lite EVB
Revision: 1.0

Sheet Name: P05_Debugger
Sheet 5 of 7

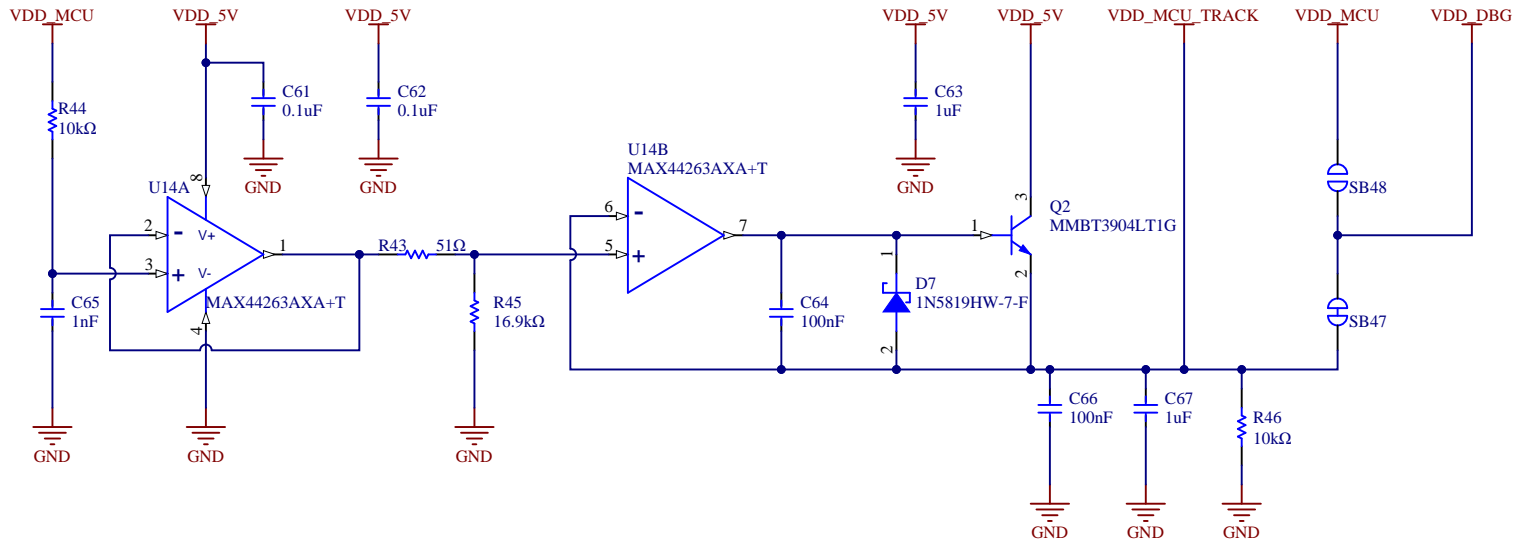
Date: 6/14/2023
Drawn By: Chad Crosby
6/14/2023

Number: AMAP4LEVB
Aprvd By: Daniel Lanzone
6/14/2023

6500 River Place Boulevard
Building 7, Suite 200
Austin, TX 78730
+1 (512) 879-2850

This document contains information proprietary to Ambiq and shall not be used, reproduced, or disclosed to others, in part or in whole, without express written permission from Ambiq.

Power Supply Tracker



6500 River Place Boulevard
 Building 7, Suite 200
 Austin, TX 78730
 +1 (512) 879-2850

Title		Apollo4 Lite EVB		Revision	1.0
Sheet Name		P08_Power Supply Track		Sheet 7 of 7	
Date	6/14/2023	Drawn By	Chad Crosby	6/14/2023	
Number	AMAP4LEVB	Aprvd By	Daniel Lanzone	6/14/2023	

This document contains information proprietary to Ambiq and shall not be used, reproduced, or disclosed to others, in part or in whole, without express written permission from Ambiq.