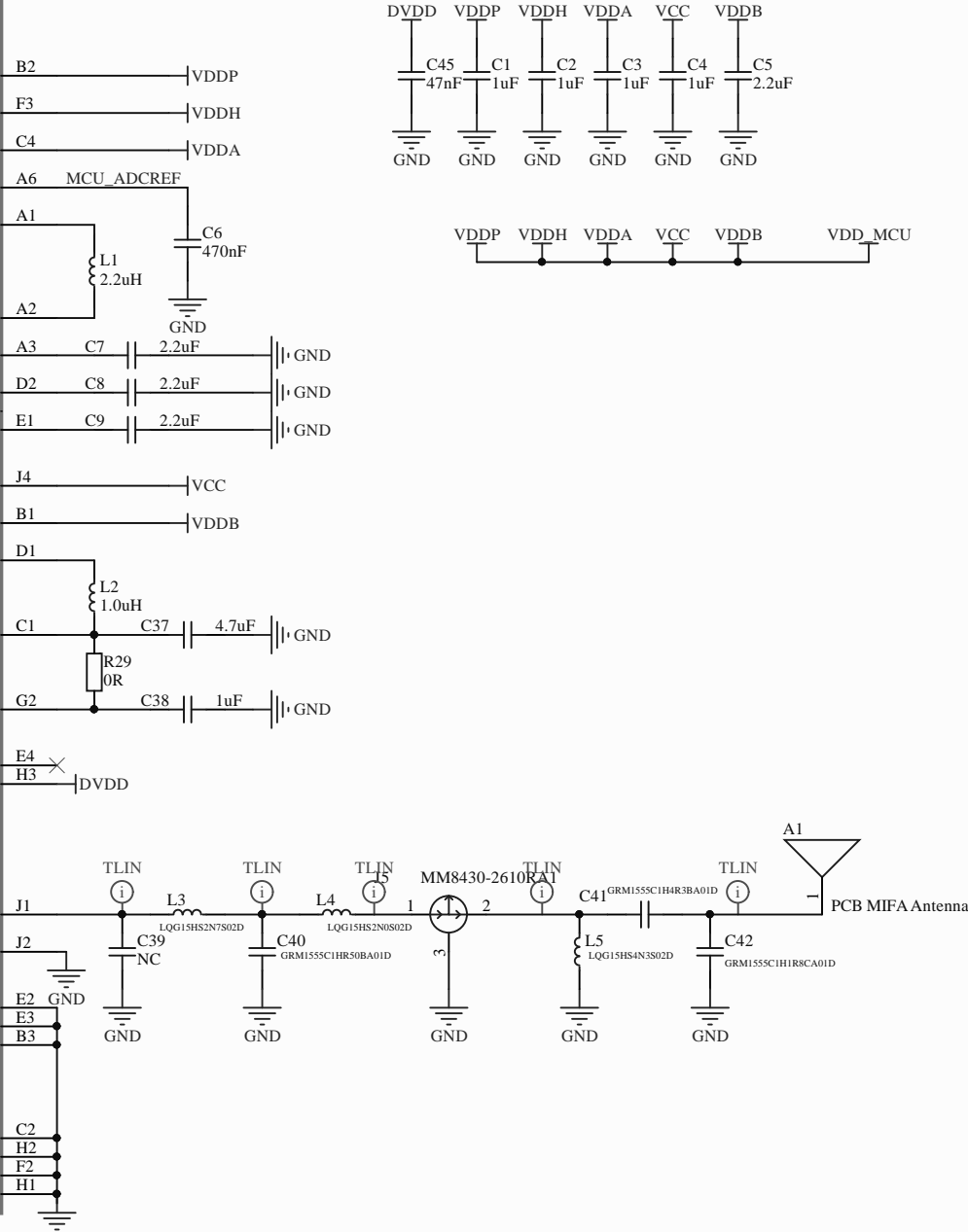
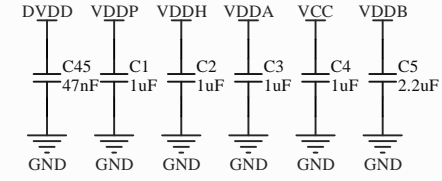
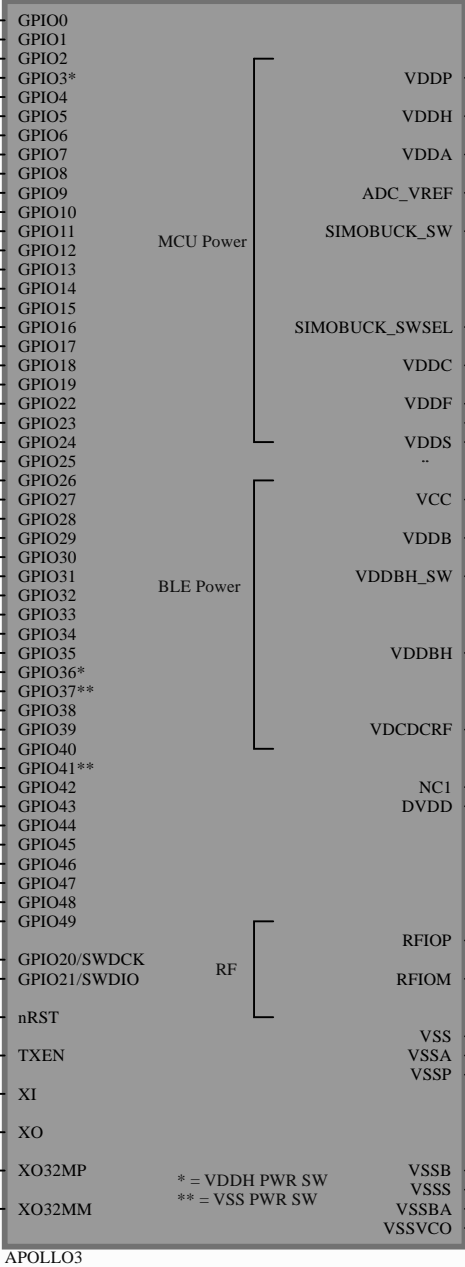


U1

SSCL SSCK CKO MSP14 NCE0 GP0	H4
SSDA SMOSI TX0 MSP15 NCE1 GP1	G4
RX1 SMISO RX0 MSP16 NCE2 GP2	F4
RTS0 SCE NCE3 MSP17 TRG1 I2SW GP3	G5
CTS0 SINT NCE4 RX1 CT17 MISP2 GP4	D9
M0SCL M0SCK RTS0 EXHFA CT8 GP5	E9
M0SDA M0MISO CTS0 CT10 I2SD GP6	E8
NCE7 M0MOSI CKO TRG0 TX0 CT19 GP7	F9
M1SCL M1SCK NCE8 SCCCLK TX1 GP8	F8
M1SDA M1MISO NCE9 SCCIO RX1 GP9	G7
TX1 M1MOSI NCE10 PDMC RTS1 GP10	G8
ADCSE2 NCE11 CT31 SINT CTS1 RX0 PDMD GP11	B5
ADCNSE9 NCE12 CT0 SCE PDMC CTS0 TX1 GP12	A7
ADCOPSE8 NCE13 CT2 I2SB EXHFB RTS0 RX1 GP13	B7
ADC1P NCE14 TX1 PDMC EXHFS SWDCK 32K GP14	D7
ADC1N NCE15 RX1 PDMD EXXT SWDIO SWO GP15	C7
ADCSE0 NCE16 TRG0 SCCRST CMP10 TX0 RTS1 GP16	D4
CMPR1 NCE17 TRG1 SCCCLK RX0 CTS1 GP17	D3
CMP11 NCE18 CT4 RTS0 ATST2 TX1 SCCIO GP18	C5
CMPR0 NCE19 CT6 SCCCLK ATST1 RX1 I2SB GP19	C3
TX0 NCE22 CT12 PDMC EXLF MSP10 SWO GP22	C9
RX0 NCE23 CT14 I2SW CMP0 MSP13 EXXT GP23	D8
TX1 NCE24 MSP18 CTS0 CT21 32K SWO GP24	C8
RX1 NCE25 CT1 M2SDA M2MISO GP25	A8
EXHF NCE26 CT3 SCCRST MSP11 TX0 CTS1 GP26	B8
RX0 NCE27 CT5 M2SCL M2SCK GP27	B9
I2SW NCE28 CT7 M2MOSI TX0 GP28	A9
ADCSE1 NCE29 CT9 CTS0 CTS1 RX0 PDMD GP29	A5
ATST1 NCE30 CT11 TX0 RTS1 BLESCK I2SD GP30	F6
ADCSE3 NCE31 CT13 RX0 SCCCLK BLEMISO RTS1 GP31	D5
ADCSE4 NCE32 CT15 SCCIO EXLF BLEMOSI CTS1 GP32	E6
ADCSE5 NCE33 32K BLECSN CTS0 CT23 SWO GP33	B6
ADCSE6 NCE34 RTS1 CMPR2 RTS0 RX0 PDMD GP34	C6
ADCSE7 NCE35 TX1 I2SD CT27 RTS0 BLESTATUS GP35	D6
TRG1 NCE36 RX1 32K CTS1 CTS0 PDMD GP36	H6
TRG2 NCE37 RTS0 SCCIO TX1 PDMC CT29 GP37	H7
TRIG3 NCE38 CTS0 M3MOSI RX1 GP38	J6
TX0 TX1 CT25 M4SCL M4SCK GP39	J9
RX0 RX1 TRG0 M4SDA M4MISO GP40	J5
NCE41 BLEIRQ SWO I2SW RTS1 TX0 RTS0 GP41	E5
TX1 NCE42 CT16 M3SCL M3SCK GP42	H5
RX1 NCE43 CT18 M3SDA M3MISO GP43	J5
RTS1 NCE44 CT20 M4MOSI TX0 GP44	J7
CST1 NCE45 CT22 I2SD PDMD RX0 SWO GP45	F5
I2SB NCE46 CT24 SCCRST PDMC TX1 SWO GP46	E7
32K NCE47 CT26 M5MOSI RX1 GP47	H9
TX0 NCE48 CT28 M5SCL M5SCK GP48	G9
RX0 NCE49 CT30 M5SDA M5MISO GP49	H8

SWDCK NCE20 TX0 TX1 I2SB RTS1 GP20	G6
SWDIO NCE21 RX0 RX1 SCCRST CTS1 GP21	F7
nRST	G3
TXEN	J3
XI	B4
XO	A4
XO32MP	F1
XO32MM	G1

APOLLO3



* = VDDH PWR SW
 ** = VSS PWR SW

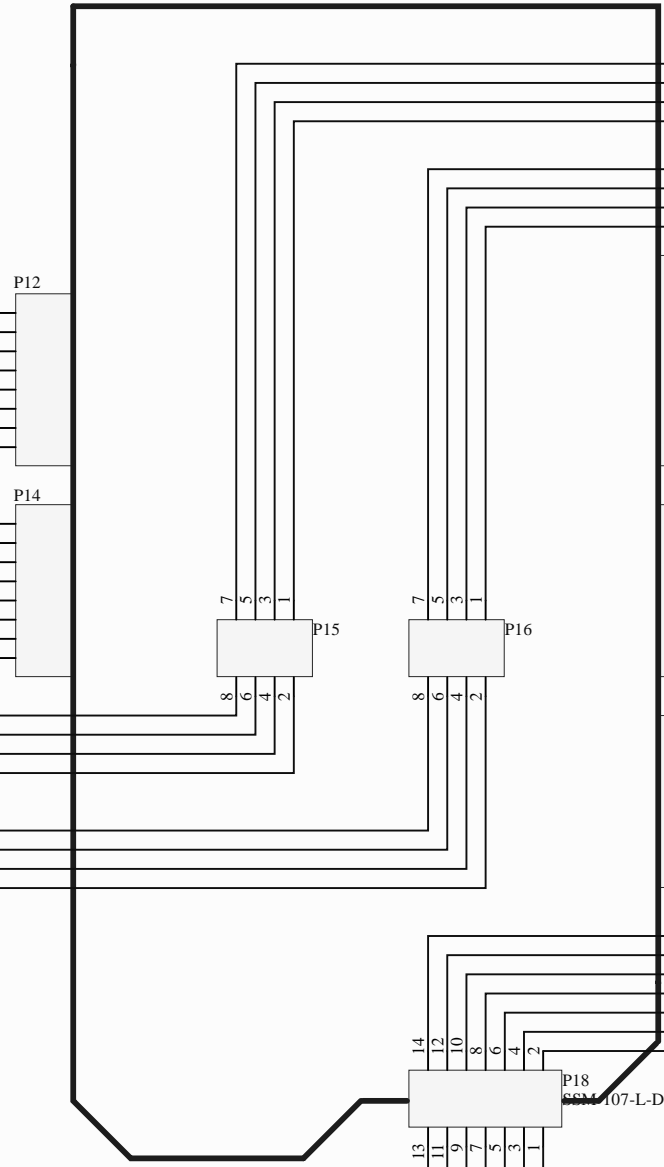
VDD_EXP	1
VDD_EXP	2
nRST	3
VDD_EXP	4
5V_USB	5
GND	6
GND	7
VIN	8

ADC0PSE8_NCE13_CT2_I2SB_EXHFB_RTS0_RX1_GP13	1
ADCSE1_NCE29_CT9_CTS0_CTS1_RX0_PDMD_GP29	2
ADCSE2_NCE11_CT31_SINT_CTS1_RX0_PDMD_GP11	3
ADCSE3_NCE31_CT13_RX0_SCCCLK_BLEMISO_RTS1_GP31	4
ADCSE4_NCE32_CT15_SCCIO_EXLF_BLEMISO_CTS1_GP32	5
ADCSE5_NCE33_32K_BLECSN_CTS0_CT23_SWO_GP33	6
ADCSE6_NCE34_RTS1_CMPR2_RTS0_RX0_PDMD_GP34	7
ADCSE7_NCE35_TX1_I2SD_CT27_RTS0_BLESTATUS_GP35	8

RTS0_SCE_NCE3_MSPI7_TRG1_I2SW_GP3
GND
RX1_SMISO_RX0_MSPI6_NCE2_GP2
VDD_EXP

SWDCK_NCE20_TX0_TX1_I2SB_RTS1_GP20
TX1_NCE24_MSPI8_CTS0_CT21_32K_SWO_GP24
GND
GND

nRST
CMPR1_NCE17_TRG1_SCCCLK_RX0_CTS1_GP17
ADC1P_NCE14_TX1_PDMC_EXHFS_SWDCK_32K_GP14
ADC1N_NCE15_RX1_PDMD_EXXT_SWDIO_SWO_GP15
ATST1_NCE30_CT11_TX0_RTS1_BLESCCK_I2SD_GP30
TXEN
VDD_EXP



CTS0_SINT_NCE4_RX1_CT17_MISP2_GP4
nRST
SSCL_SSCK_CK0_MSPI4_NCE0_GP0
SSDA_SMOSI_TX0_MSPI5_NCE1_GP1

SWDIO_NCE21_RX0_RX1_SCCRST_CTS1_GP21
NCE41_BLEIRQ_SWO_I2SW_RTS1_TX0_RTS0_GP41
VDD_DBG
VDD_DBG

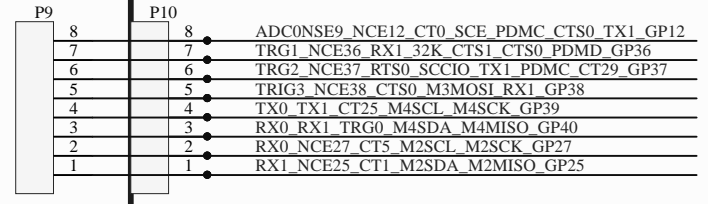
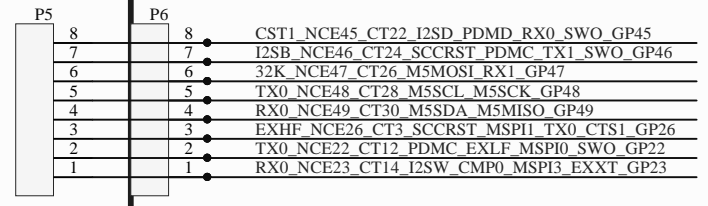
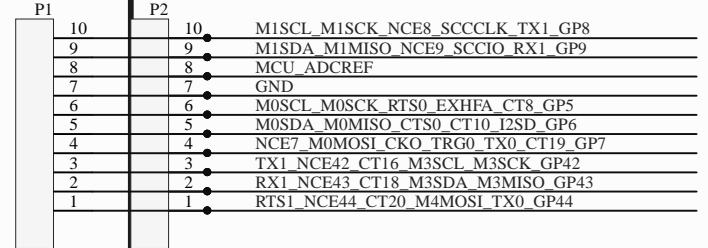
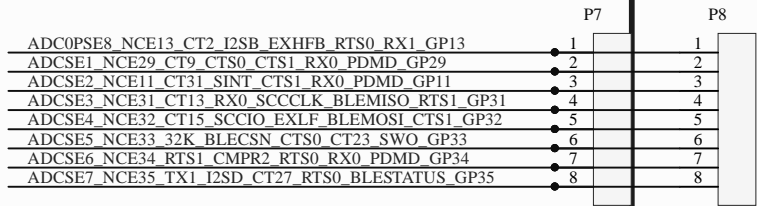
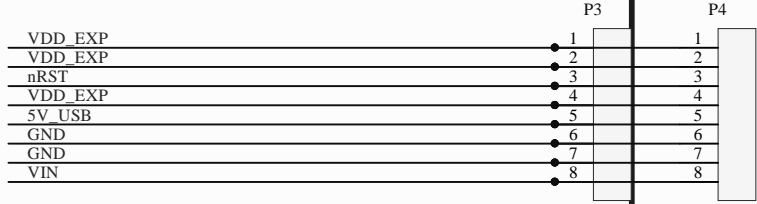
10 MISCL_MISCK_NCE8_SCCCLK_TX1_GP8
9 MISDA_MIMISO_NCE9_SCCIO_RX1_GP9
8 MCU_ADCREF
7 GND
6 M0SCL_M0SCK_RTS0_EXHFA_CT8_GP5
5 M0SDA_M0MISO_CTS0_CT10_I2SD_GP6
4 NCE7_M0MOSI_CK0_TRG0_TX0_CT19_GP7
3 TX1_NCE42_CT16_M3SCL_M3SCK_GP42
2 RX1_NCE43_CT18_M3SDA_M3MISO_GP43
1 RTS1_NCE44_CT20_M4MOSI_TX0_GP44

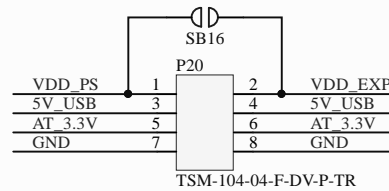
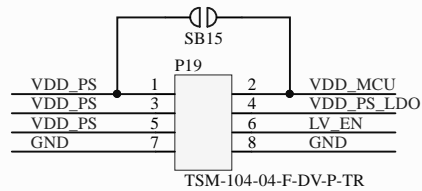
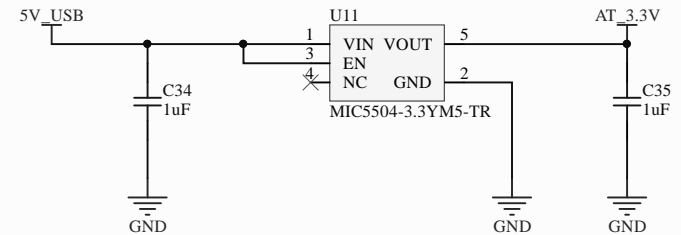
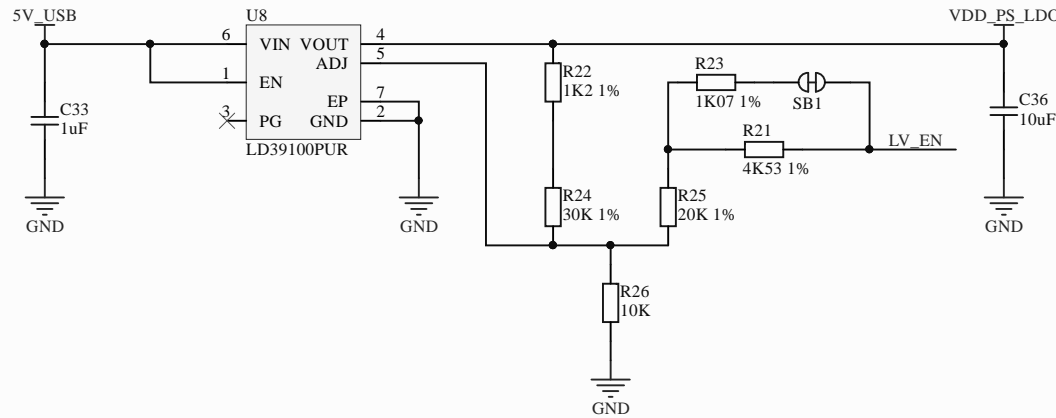
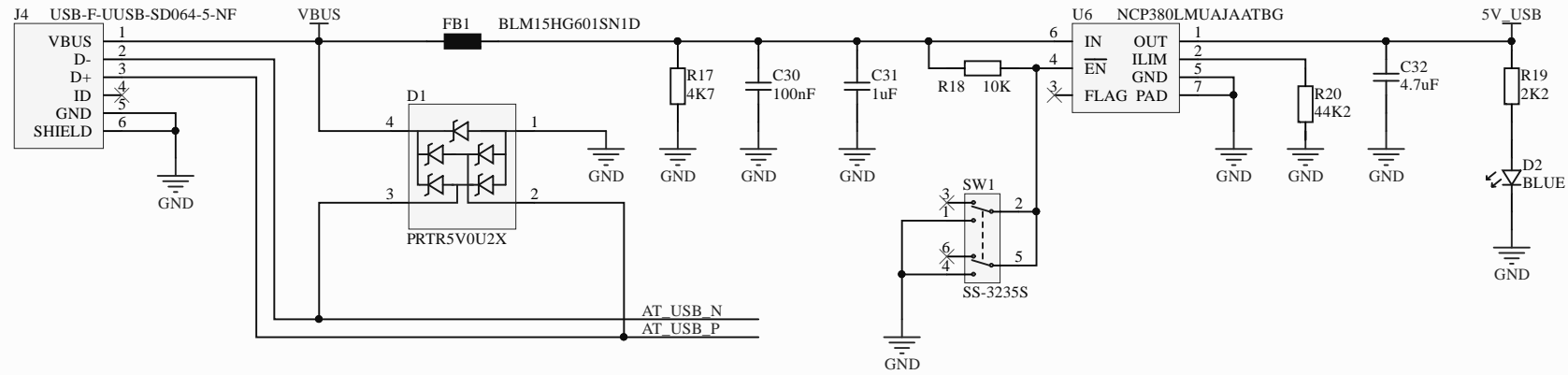
8 CST1_NCE45_CT22_I2SD_PDMD_RX0_SWO_GP45
7 I2SB_NCE46_CT24_SCCRST_PDMC_TX1_SWO_GP46
6 32K_NCE47_CT26_M5MOSI_RX1_GP47
5 TX0_NCE48_CT28_M5SCL_M5SCK_GP48
4 RX0_NCE49_CT30_M5SDA_M5MISO_GP49
3 EXHF_NCE26_CT3_SCCRST_MSPI1_TX0_CTS1_GP26
2 TX0_NCE22_CT12_PDMC_EXLF_MSPI0_SWO_GP22
1 RX0_NCE23_CT14_I2SW_CMP0_MSPI3_EXXT_GP23

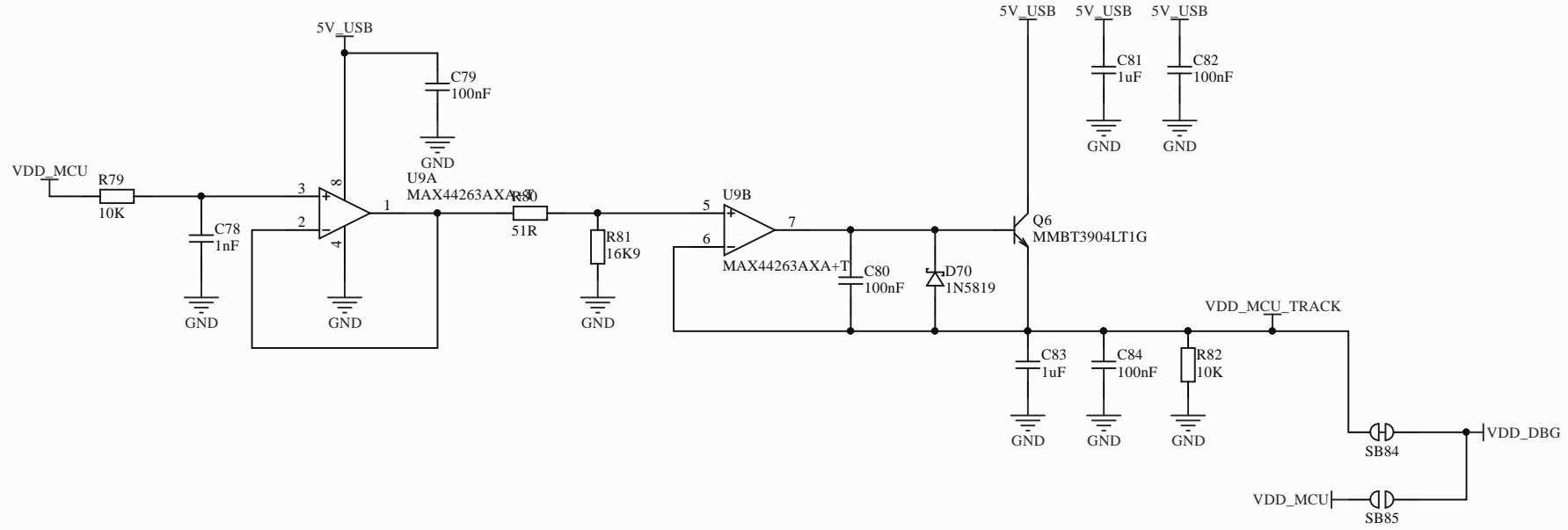
8 ADCONSE9_NCE12_CT0_SCE_PDMC_CTS0_TX1_GP12
7 TRG1_NCE36_RX1_32K_CTS1_CTS0_PDMD_GP36
6 TRG2_NCE37_RTS0_SCCIO_TX1_PDMC_CT29_GP37
5 TRIG3_NCE38_CTS0_M3MOSI_RX1_GP38
4 TX0_TX1_CT25_M4SCL_M4SCK_GP39
3 RX0_RX1_TRG0_M4SDA_M4MISO_GP40
2 RX0_NCE27_CT5_M2SCL_M2SCK_GP27
1 RX1_NCE25_CT1_M2SDA_M2MISO_GP25

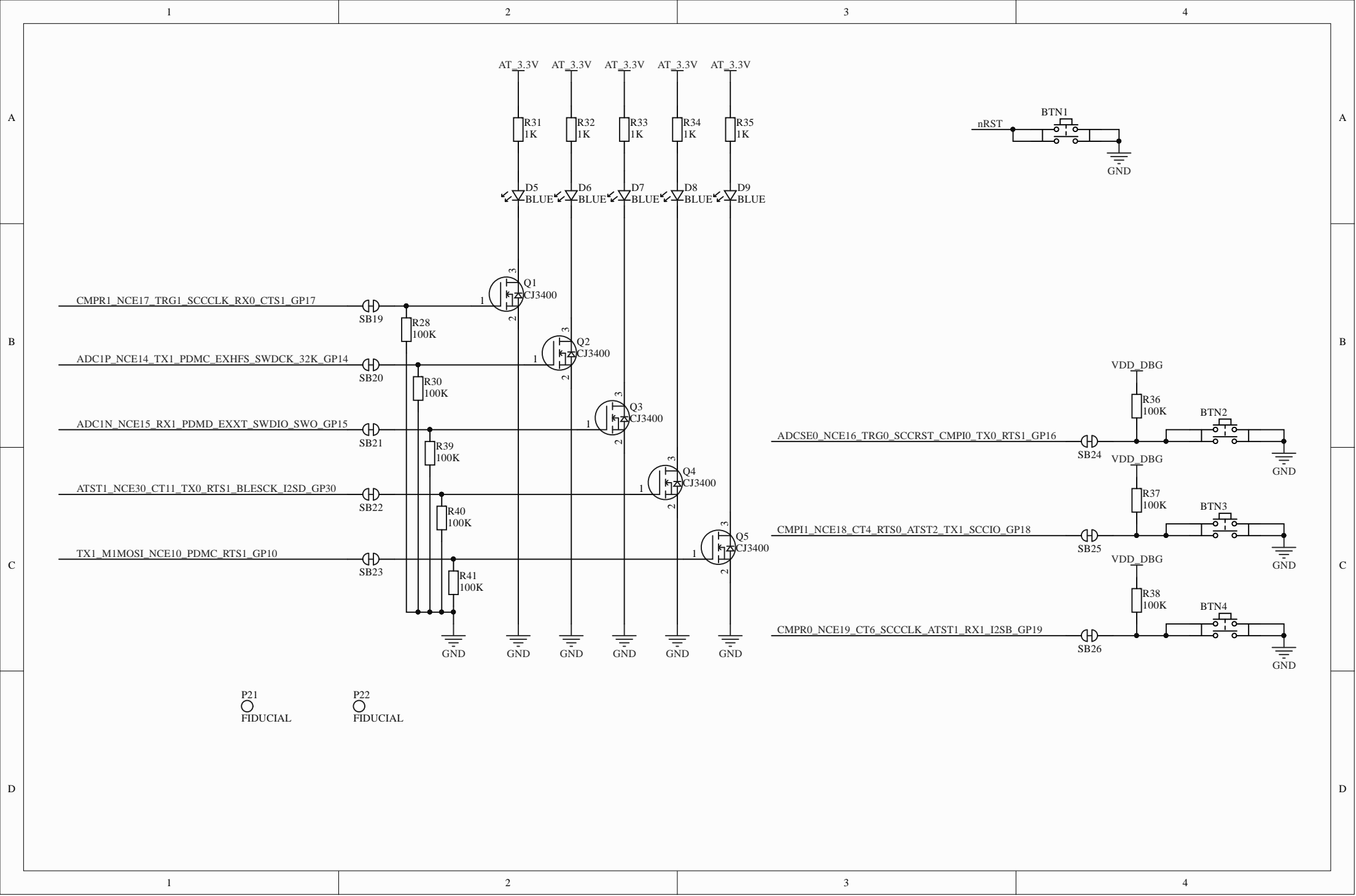
GND
GND
CMPR0_NCE19_CT6_SCCCLK_ATST1_RX1_I2SB_GP19
CMP11_NCE18_CT4_RTS0_ATST2_TX1_SCCIO_GP18
ADCSE0_NCE16_TRG0_SCCRST_CMP10_TX0_RTS1_GP16
I2SW_NCE28_CT7_M2MOSI_TX0_GP28
TX1_MIMOSI_NCE10_PDMC_RTS1_GP10

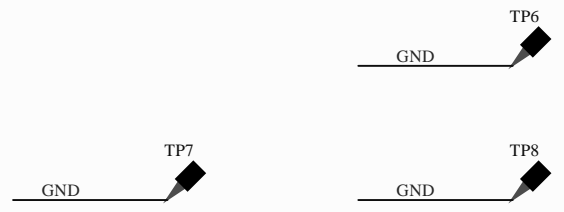
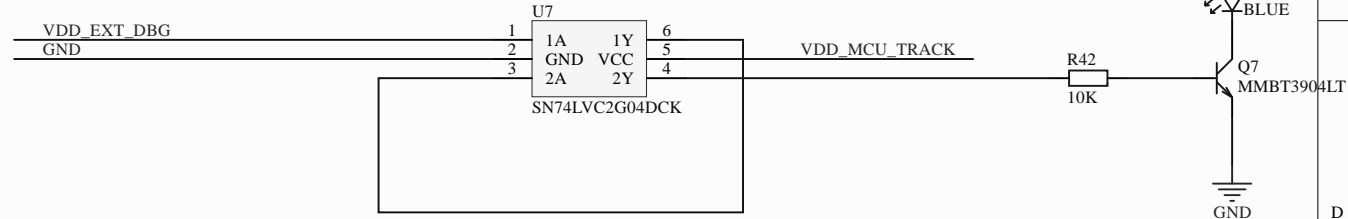
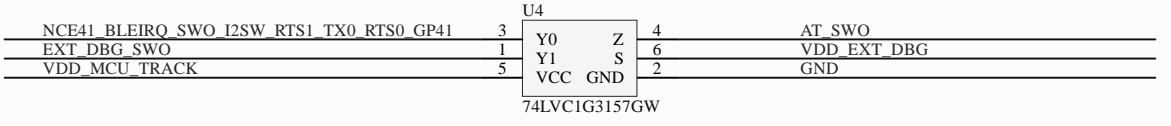
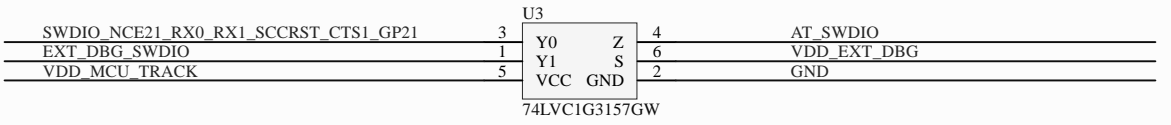
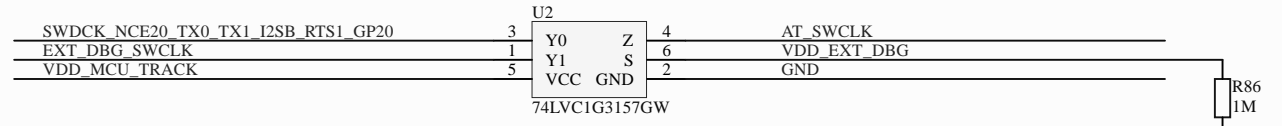
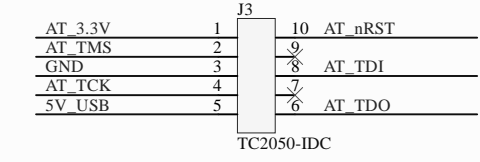
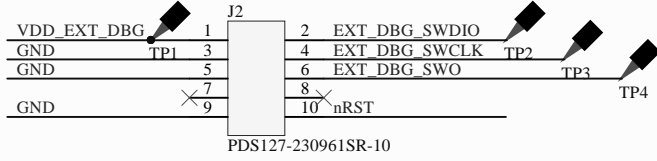
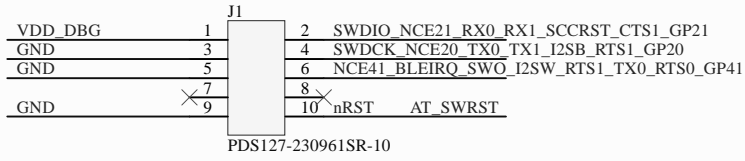
P18
STM107-L-DV-P-TR











AT_3.3V

