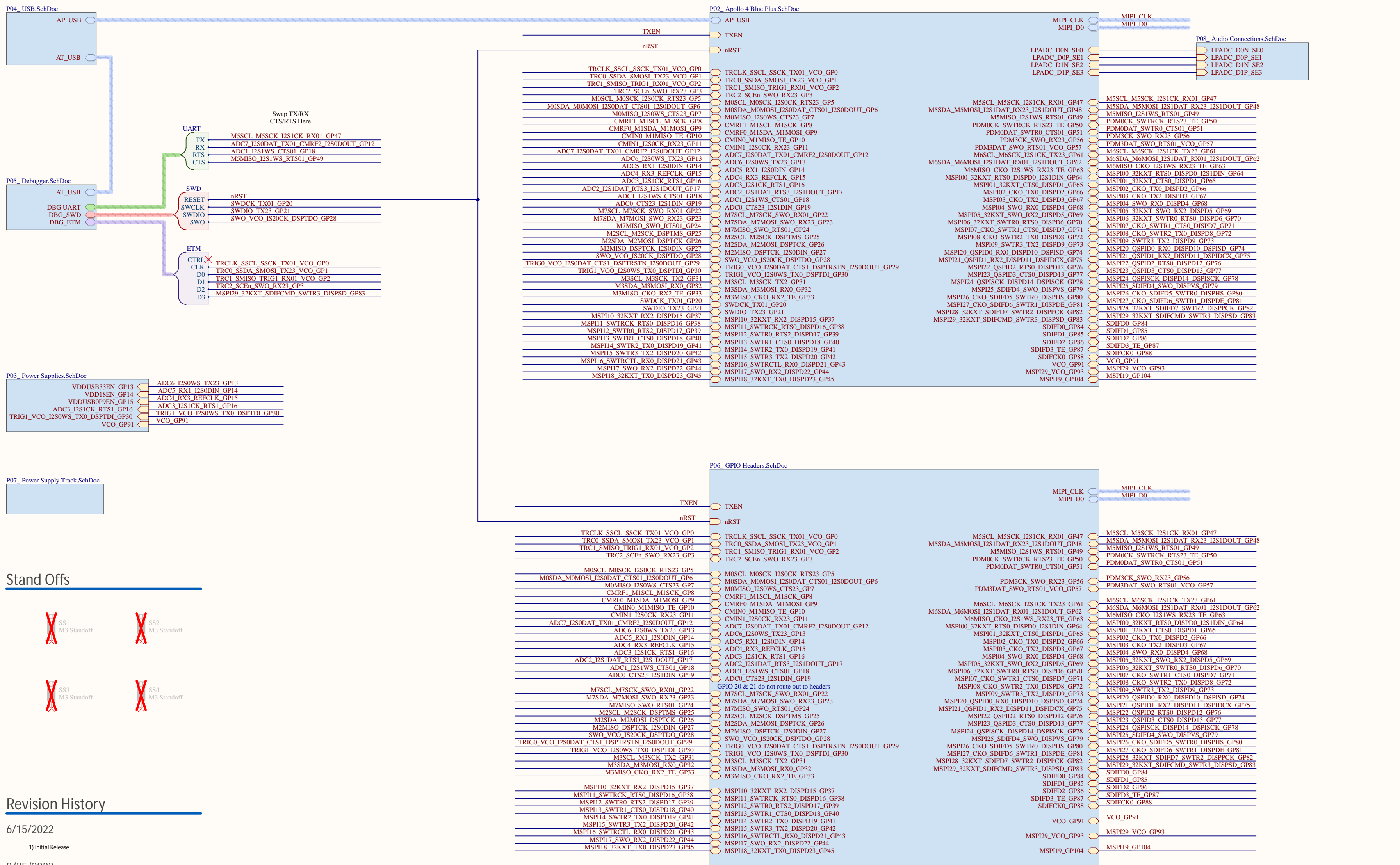


Apollo4 Blue Plus KXR EVB Connection Diagram




Stand Offs



Revision History

- 6/15/2022
 - 1) Initial Release
- 8/25/2023
 - 1) Update to onboard JLINK solution
 - 2) VDD_MCU Solderbridge short changed to open



6500 River Place Boulevard
Building 7, Suite 200
Austin, TX 78730
+1 (512) 879-2850

Title: Apollo4 Blue Plus KXR EVB
Revision: 2.0

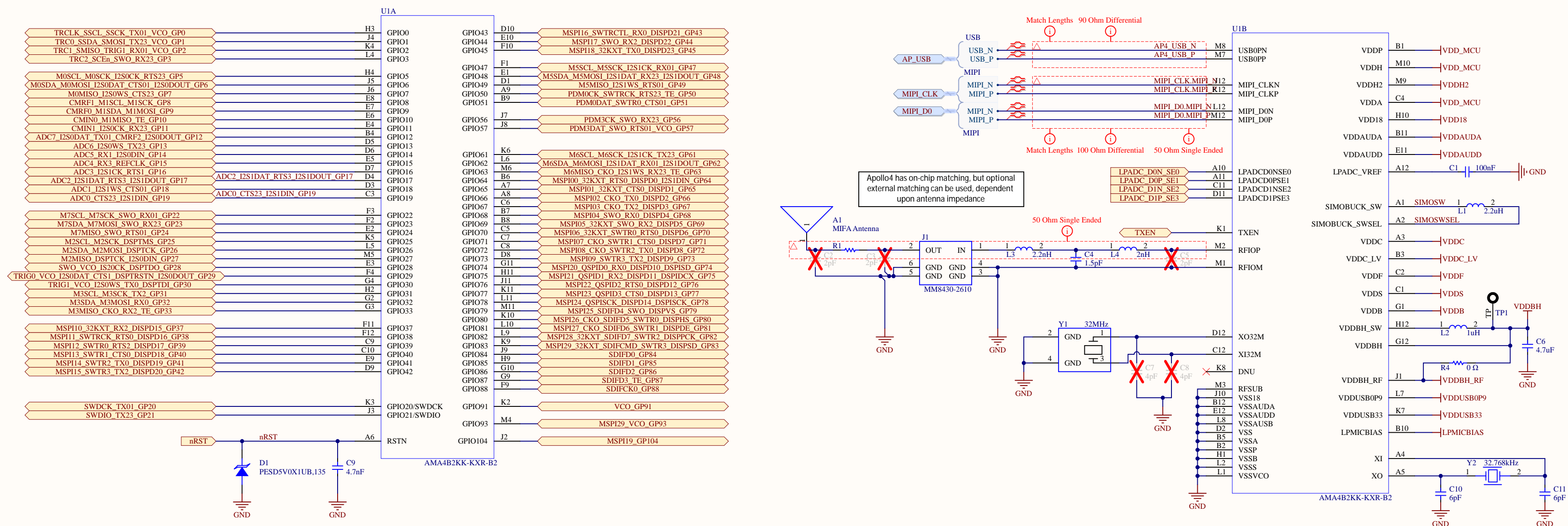
Sheet Name: P01_Top_Level
Sheet 1 of 8

Date: 8/16/2023
Drawn By: Chad Crosby
Number: AMAP4BPXEVB
Approved By: Daniel Lanzetta

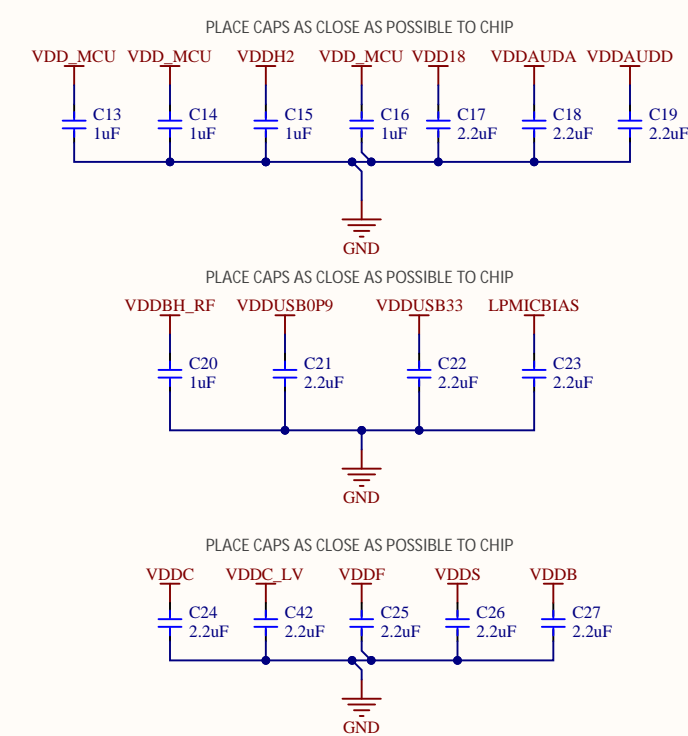
8/16/2023
8/25/2023

This document contains information proprietary to Ambiq and shall not be used, reproduced, or disclosed to others, in part or in whole, without express written permission from Ambiq.

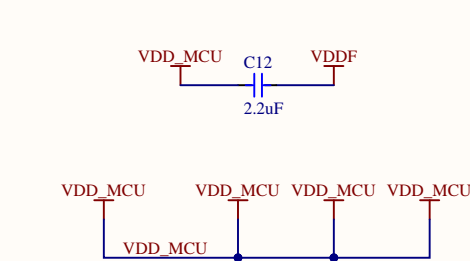
Apollo4 Blue Plus KXR



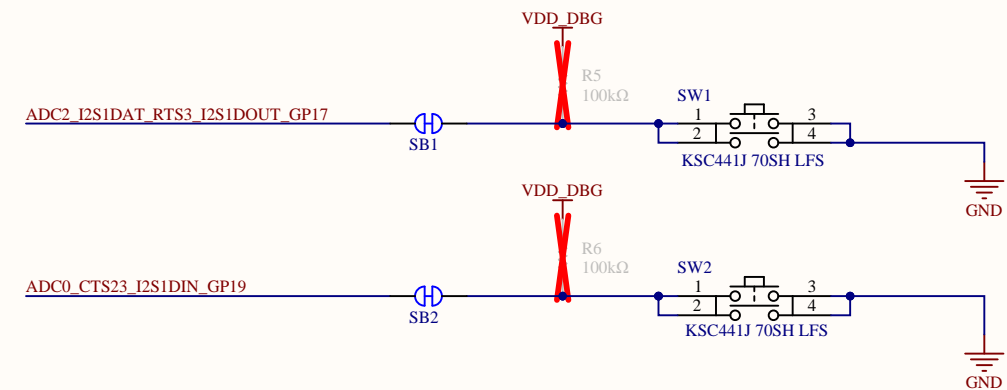
Decoupling Capacitors



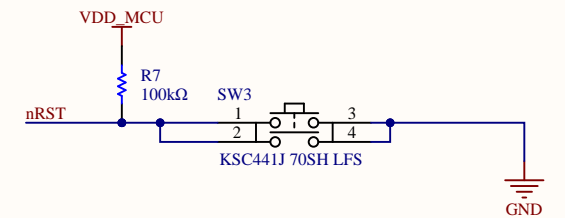
Power Supply Connections



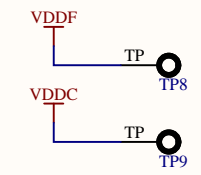
Push Buttons




nRST Push Button



Test Points





6500 River Place Boulevard
Building 7, Suite 200
Austin, TX 78730
+1 (512) 879-2850

Title: Apollo4 Blue Plus KXR EVB
Revision: 2.0

Sheet Name: P02_ Apollo 4 Blue Plus
Sheet 2 of 8

Date: 8/25/2023
Number: AMAP4BPXEVB

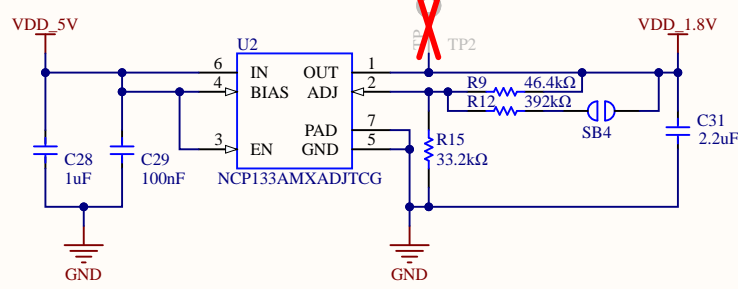
Drawn By: Chad Crosby
Aprvd By: Daniel Lanzone

8/25/2023
8/25/2023

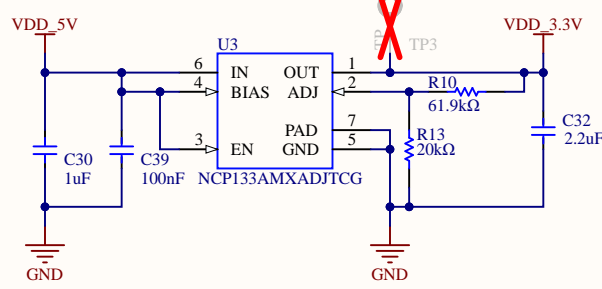
This document contains information proprietary to Ambiq and shall not be used, reproduced, or disclosed to others, in part or in whole, without express written permission from Ambiq.

1.9V Regulator

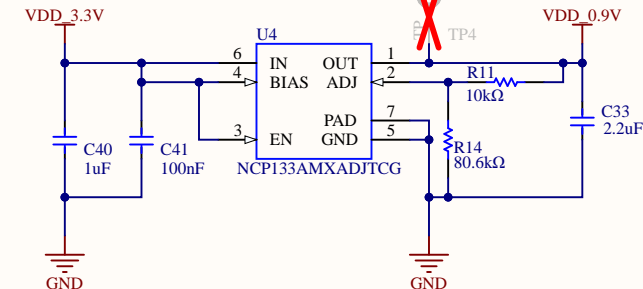
1.9V Default. Connect SB4 for 1.8V



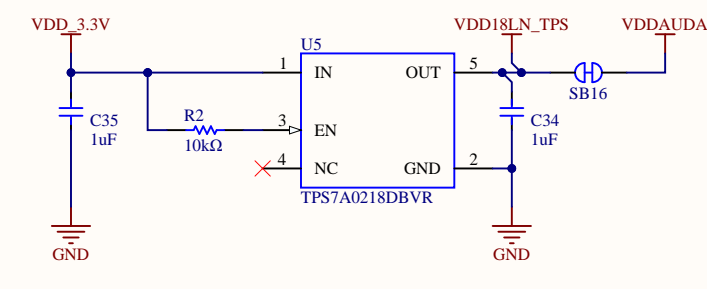
3.3V Regulator



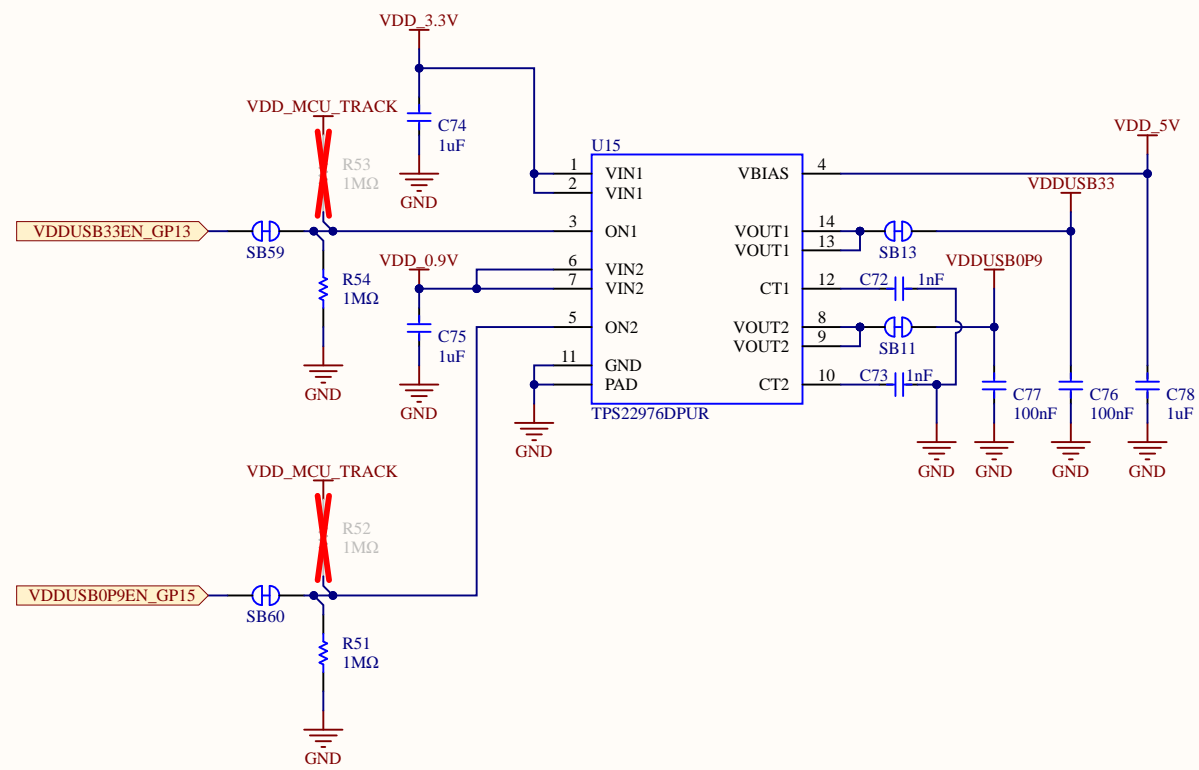
0.9V USB Supply



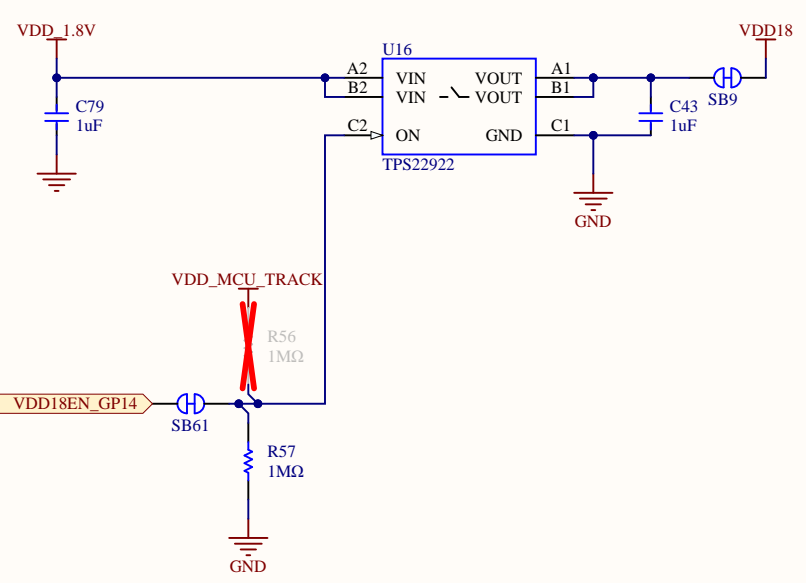
1.8V Low Noise Supply



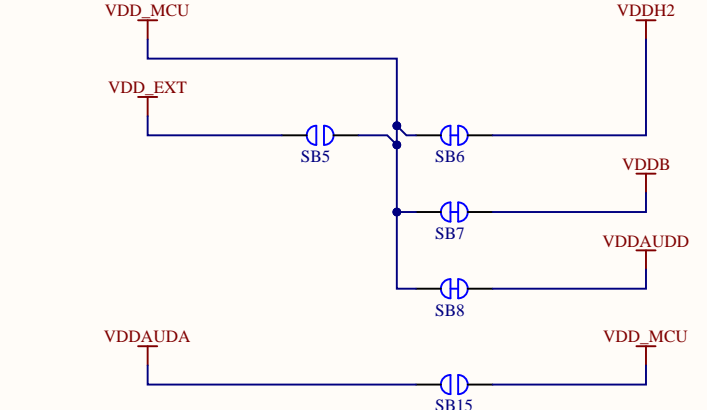
USB Sequencing



MIPSI Sequencing

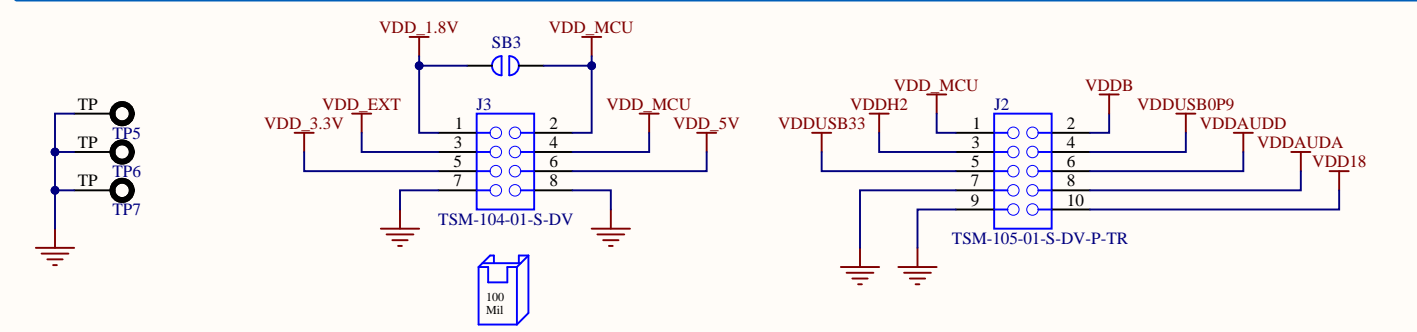


Supply Solder Bridges

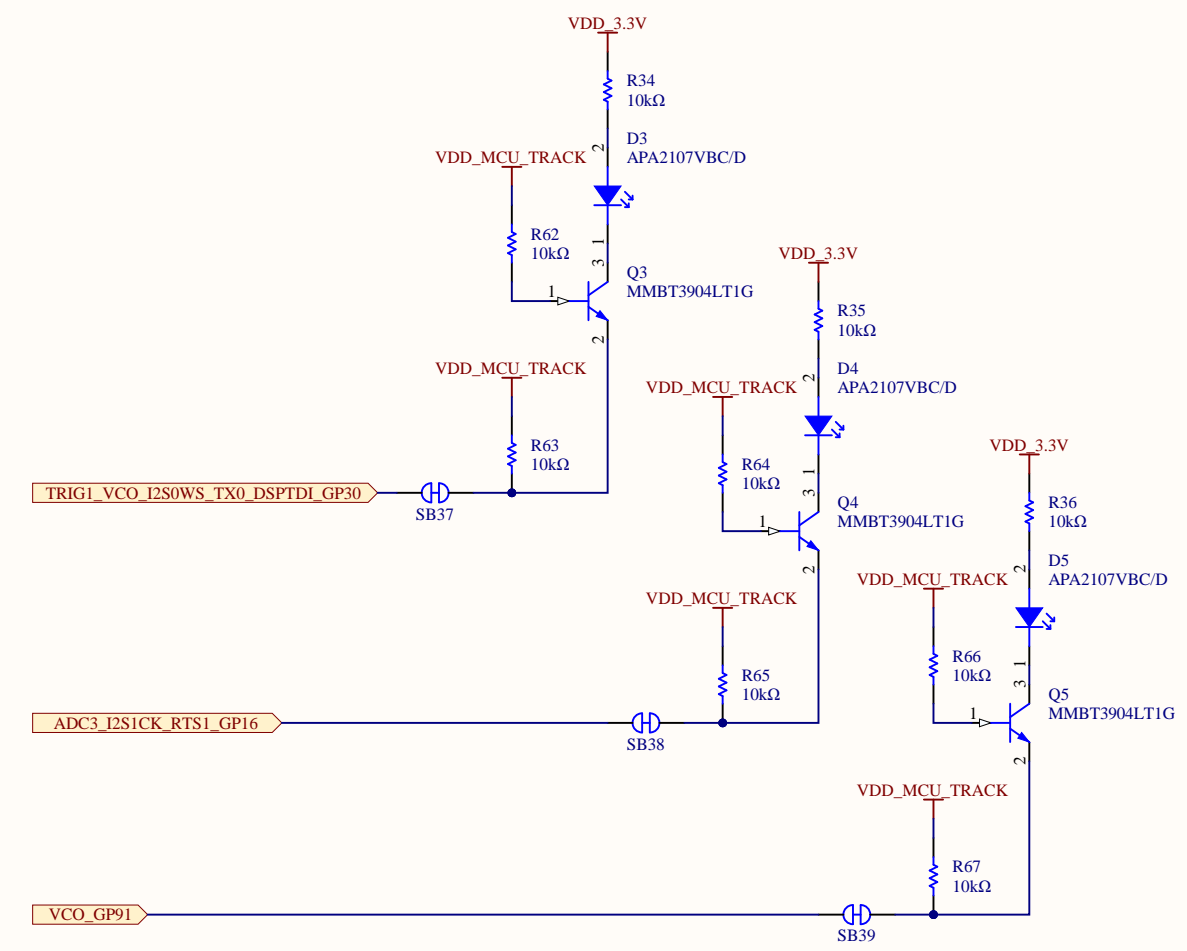


Testpoints

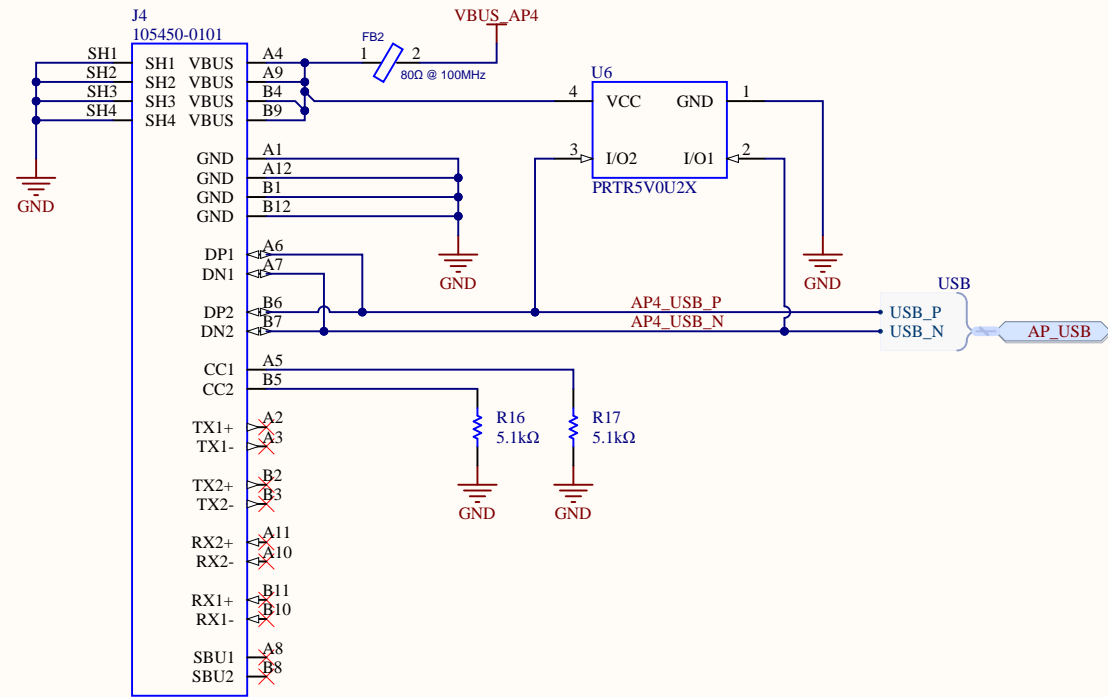
Pins 1 & 2 on J3 shall be jumpered by default



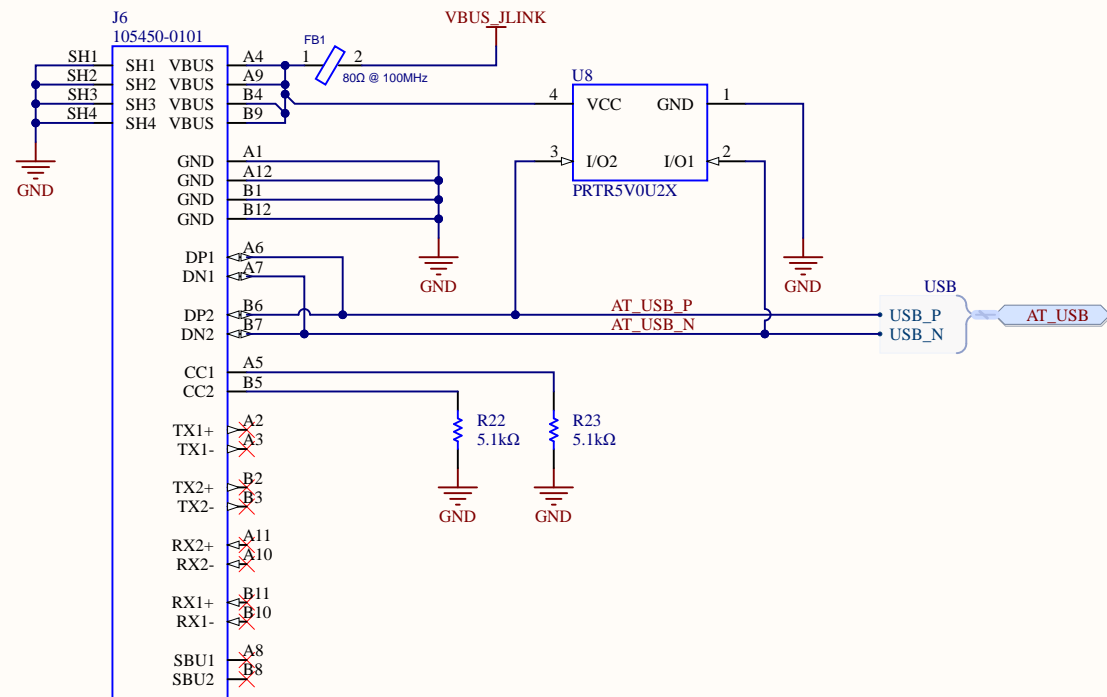
LED GPIO Solder-Bridges



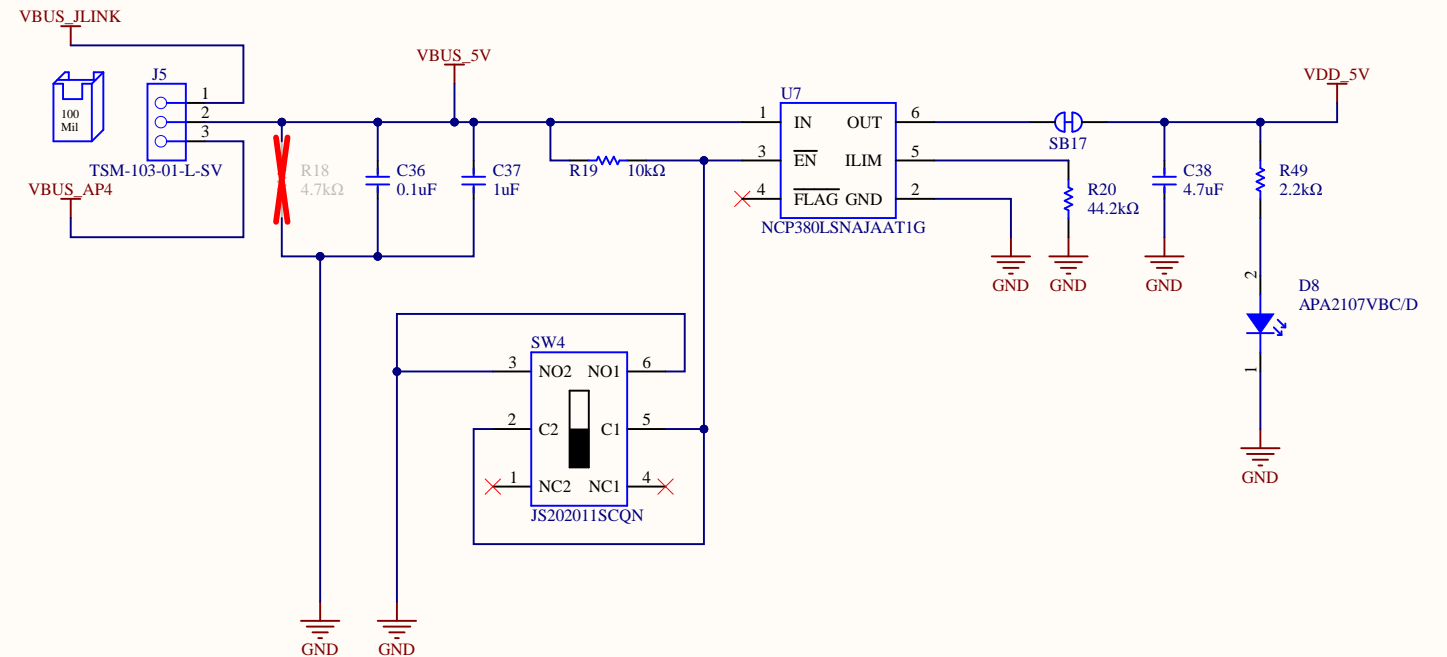
AP4 USB Connector




J-Link USB Connector



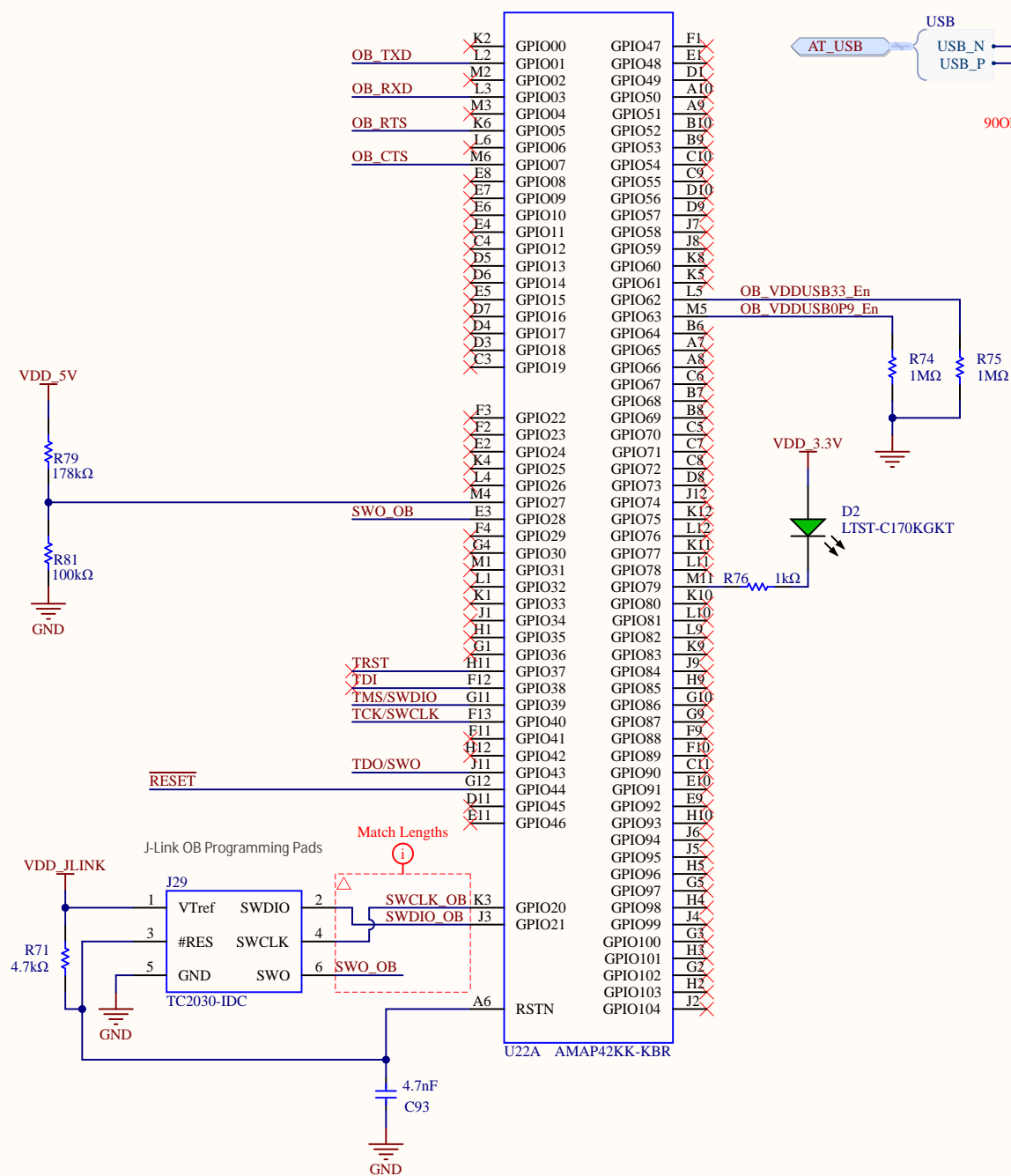
5V Source Select & USB Protection Circuit



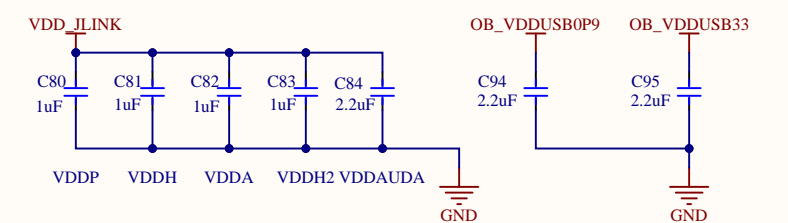
	Title Apollo4 Blue Plus KXR EVB		Revision 2.0
	Sheet Name P04_USB		Sheet 4 of 8
Date 8/25/2023		Drawn By Chad Crosby	8/25/2023
Number AMAP4BPXEVB		Aprvd By Daniel Lanzzone	8/25/2023
<small>This document contains information proprietary to Ambiq and shall not be used, reproduced, or disclosed to others, in part or in whole, without express written permission from Ambiq.</small>			

6500 River Place Boulevard
Building 7, Suite 200
Austin, TX 78730
+1 (512) 879-2850

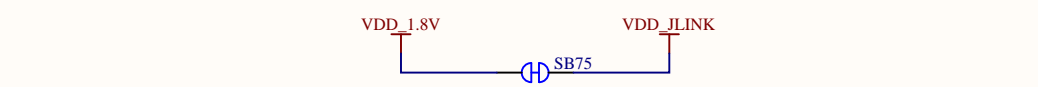
J-LINK Onboard Debugger



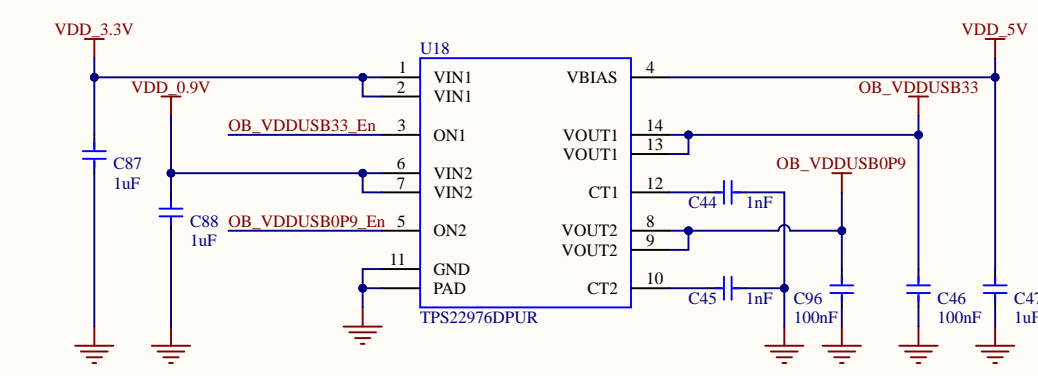
Decoupling Capacitors



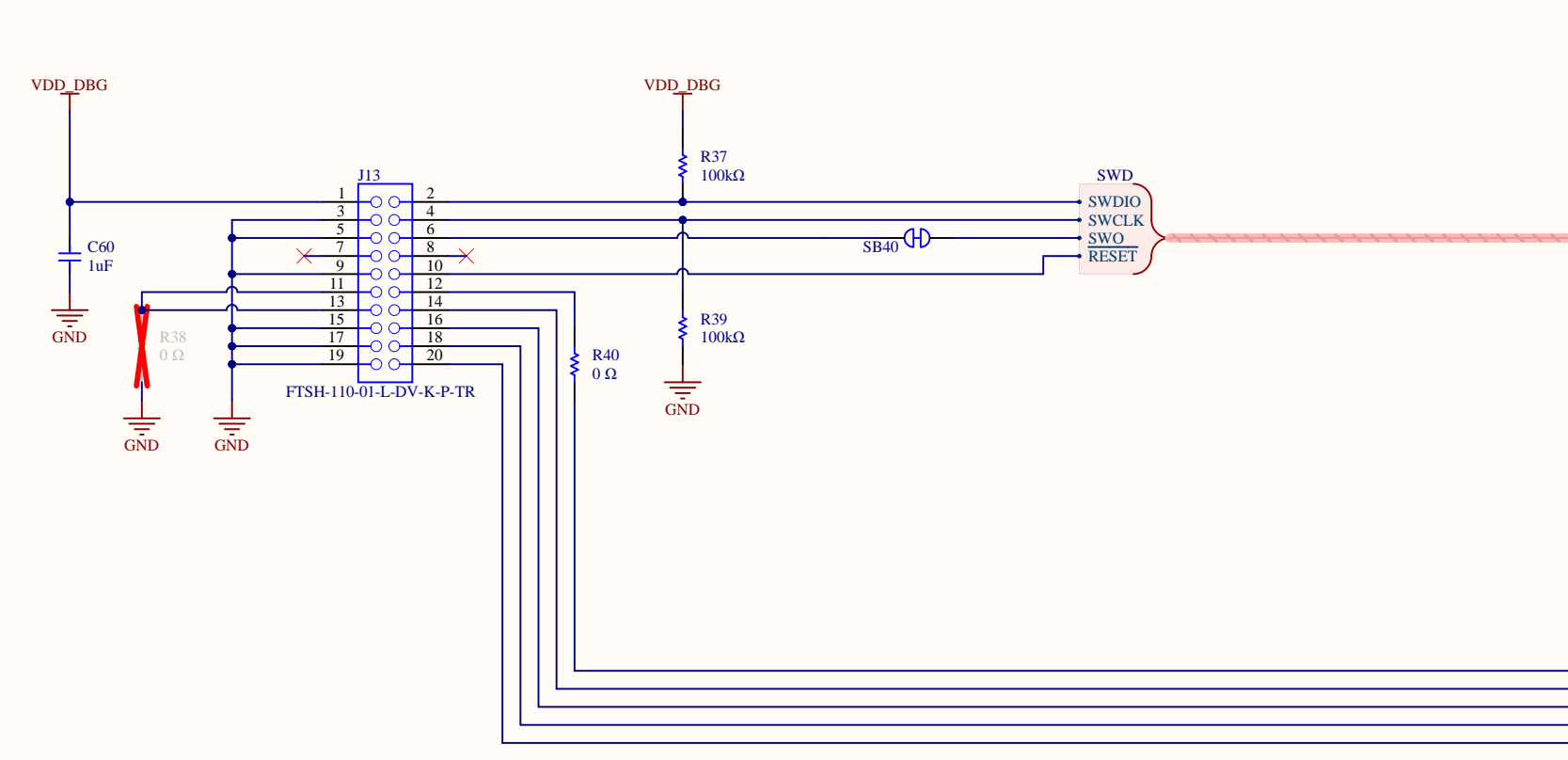
J-Link Voltage Disconnect Solder-Bridge



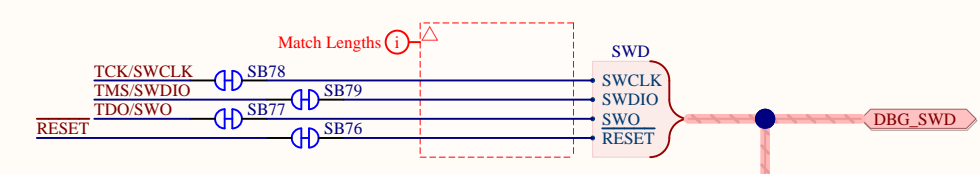
USB Sequencing



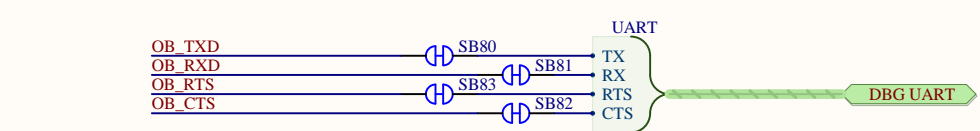
Debug-In Header



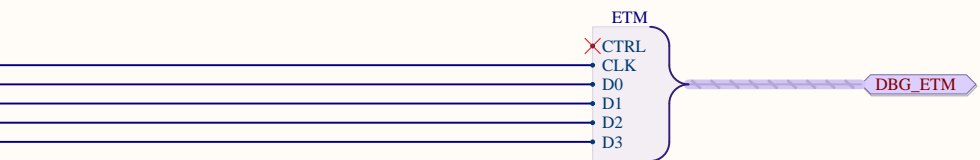
Target Debug Interface



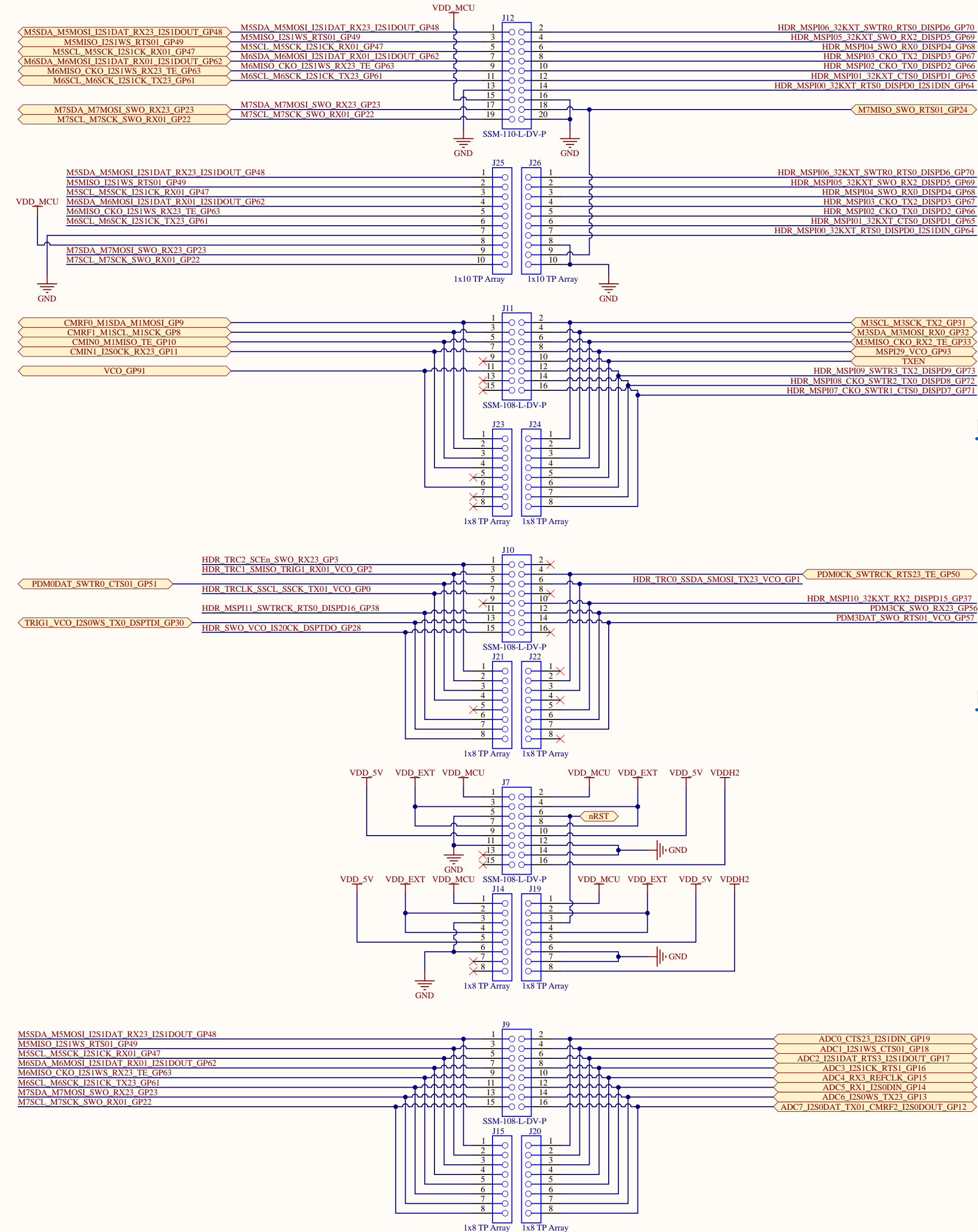
VCOM Interface



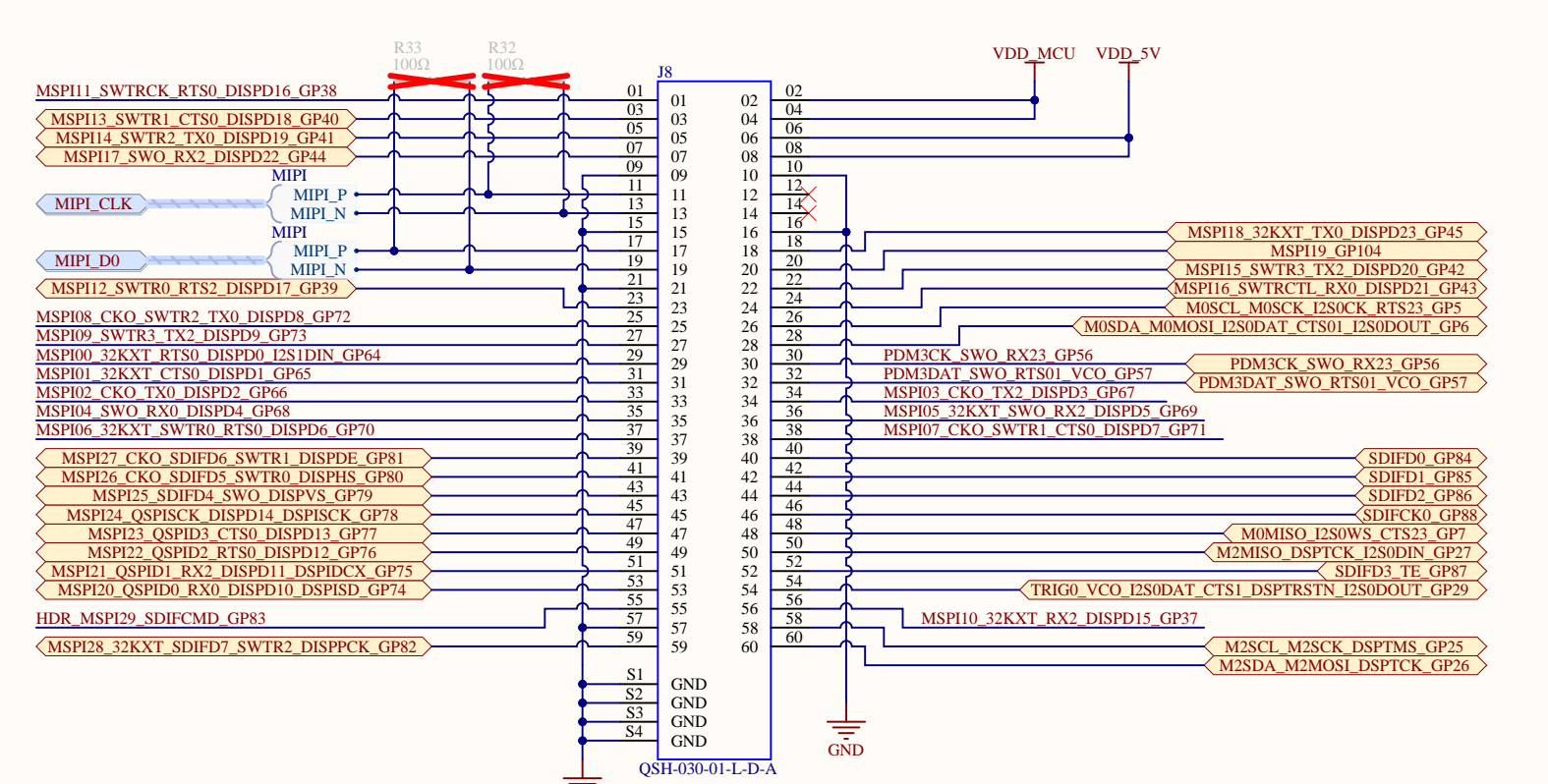
ETM Interface



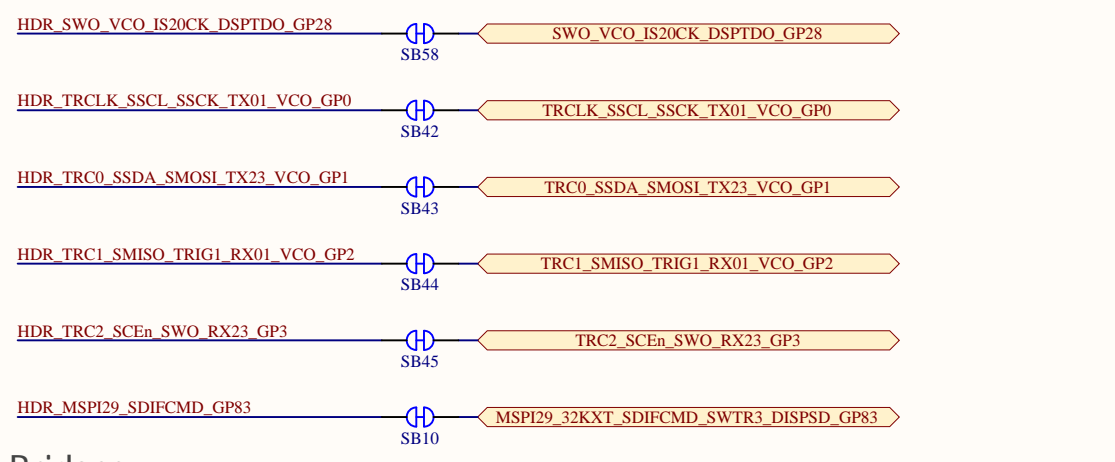
Arduino-Style GPIO Headers and Testpoint Arrays



High-Speed Header



Debug Signal to GPIO Connector Solder-Bridges



Display Controller GPIO Solder-Bridges



Title: Apollo4 Blue Plus KXR EVB Revision: 2.0

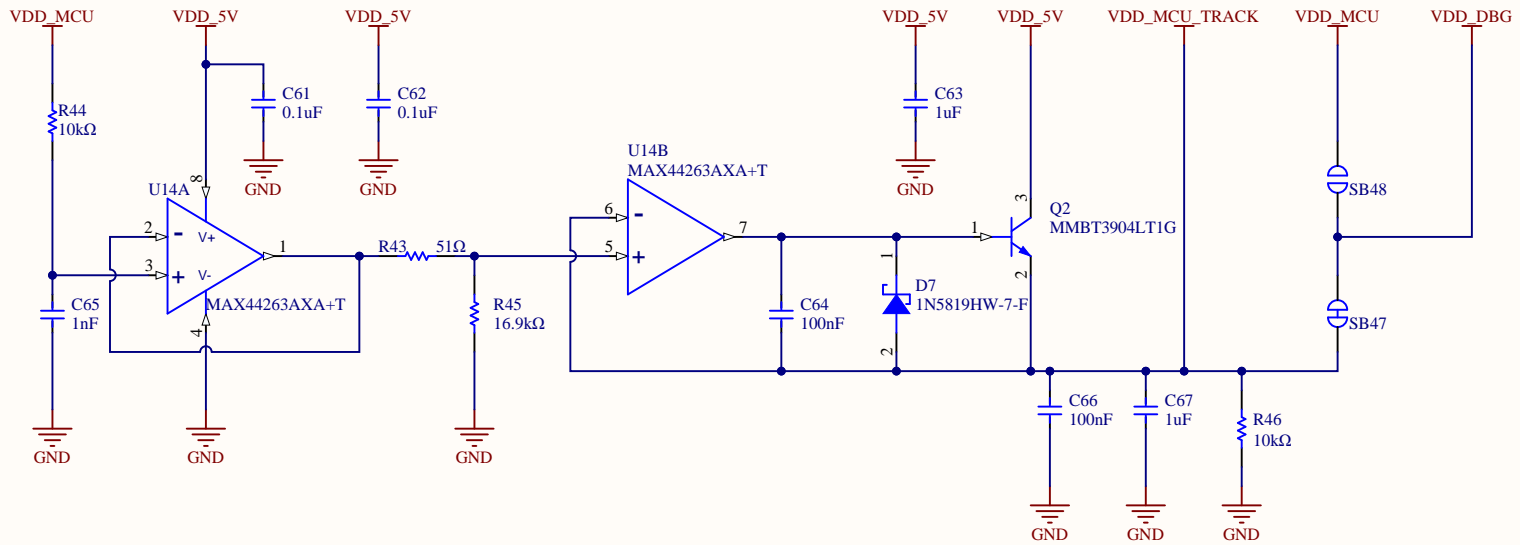
Sheet Name: P06_ GPIO Headers Sheet 6 of 8

Date: 8/16/2023 Drawn By: Chad Crosby 8/16/2023

Number: AMAP4BPXEVB Aprvd By: Daniel Lanzone 8/25/2023

This document contains information proprietary to Ambiq and shall not be used, reproduced, or disclosed to others, in part or in whole, without express written permission from Ambiq.

Power Supply Tracker



6500 River Place Boulevard
 Building 7, Suite 200
 Austin, TX 78730
 +1 (512) 879-2850

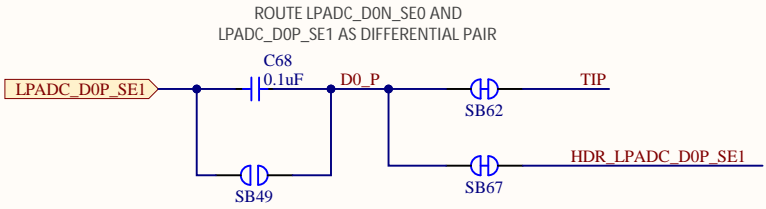
Title		Apollo4 Blue Plus KXR EVB		Revision		2.0	
Sheet Name		P07_ Power Supply Track		Sheet 7 of 8			
Date	8/16/2023	Drawn By	Chad Crosby	8/16/2023			
Number	AMAP4BPXEVB	Aprvd By	Daniel Lanzzone	8/25/2023			

This document contains information proprietary to Ambiq and shall not be used, reproduced, or disclosed to others, in part or in whole, without express written permission from Ambiq.

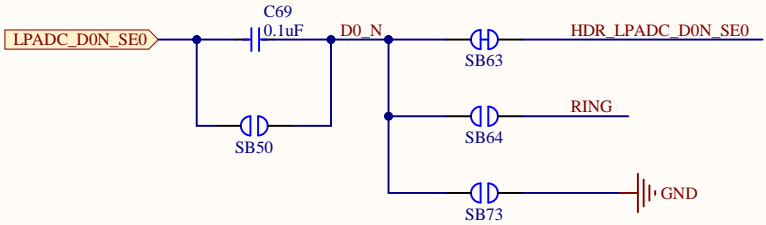
LPADC Solder Bridge Options

LPADC Voltage Header

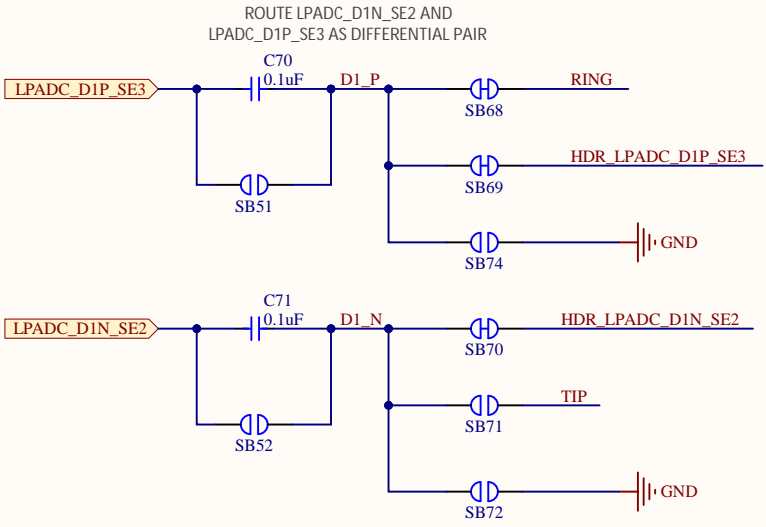
A



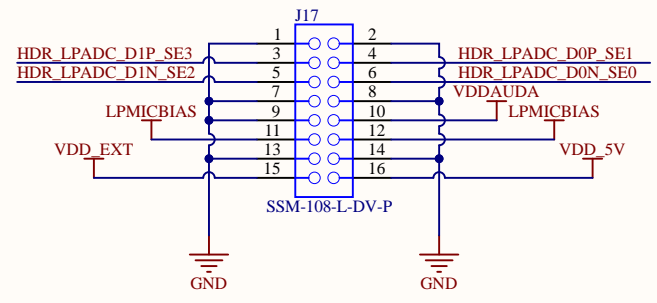
B



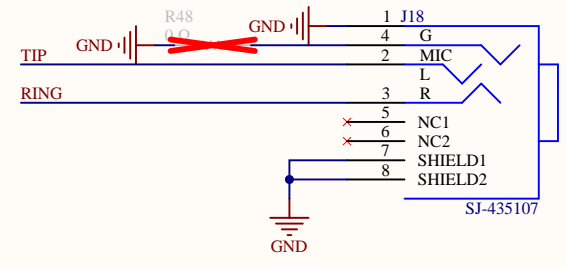
C




D



LPADC 3.5mm Headphone Jack



	Title Apollo4 Blue Plus KXR EVB		Revision 2.0
	Sheet Name P08_Audio Connections		Sheet 8 of 8
5600 River Place Boulevard Building 7, Suite 200 Austin, TX 78730 +1 (512) 879-2850		Date 8/16/2023	Drawn By Chad Crosby 8/16/2023
		Number AMAP4BPXEVB	Aprvd By Daniel Lanzone 8/25/2023
<small>This document contains information proprietary to Ambiq and shall not be used, reproduced, or disclosed to others, in part or in whole, without express written permission from Ambiq.</small>			